

# ENZO

Design: ECLATEC



ECLATEC





# ENZO

Design: ECLATEC

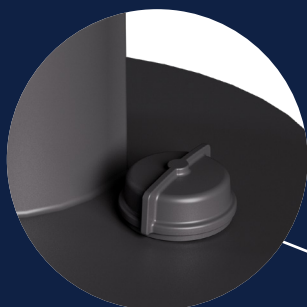
“Transform the spaces to create emotion”

# ENZO

A functional range that creates ambience

## SMART ZD4™

- ZD4i
- Bluetooth
- DALI - DMX
- Remote management



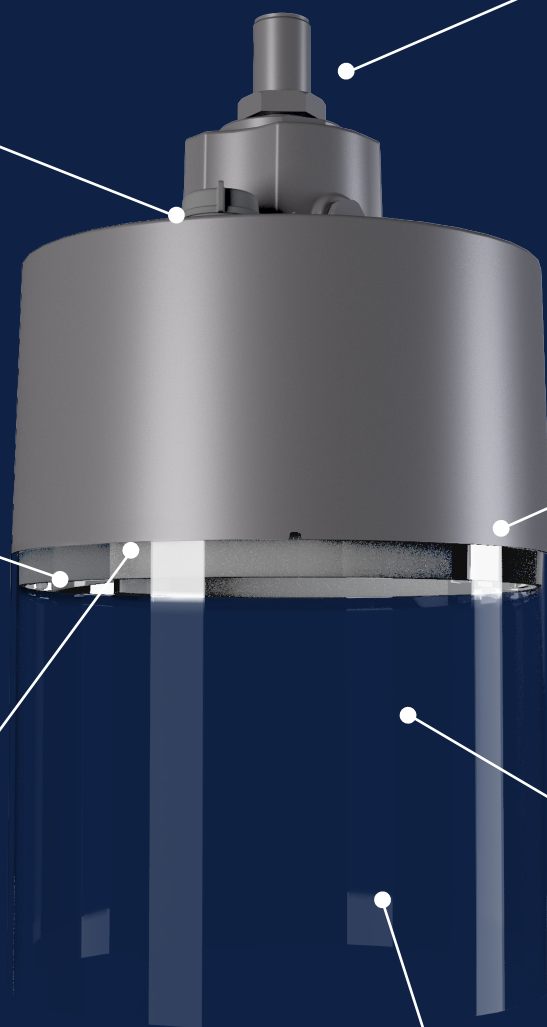
### Colourful atmospheres

- RGBW



### Refined finishes

- Clean aesthetic, without discontinuity

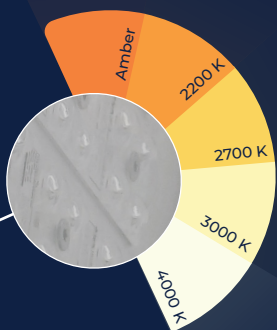


### Customisable pattern



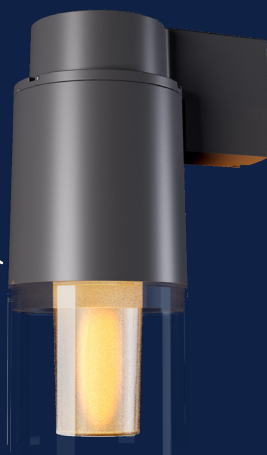
## Various combinations of installation

- Catenary
- Suspended SM27 PDG
- Pole-top and wall-mounted



## High-performance LED

- Tunable White



A candle effect



# Inspirations

---

“Walking is a different way of inhabiting the world.”

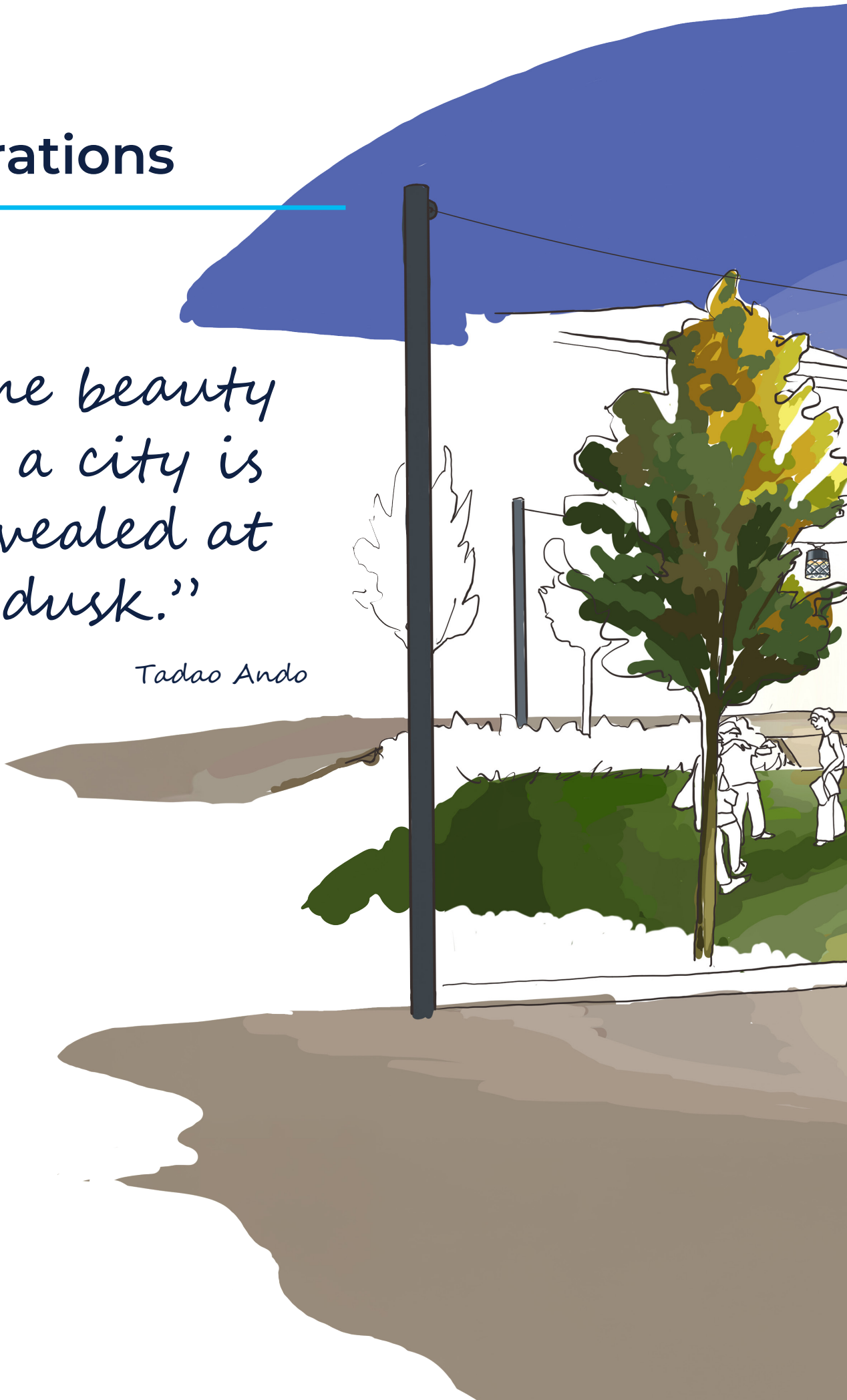
*Sylvain Tesson*



# Inspirations

*“The beauty  
of a city is  
revealed at  
dusk.”*

*Tadao Ando*



# Inspirations

---

“Water is the  
substance of  
light.”

*Gaston Bachelard*



# Resources

## Technical

ENZO 1



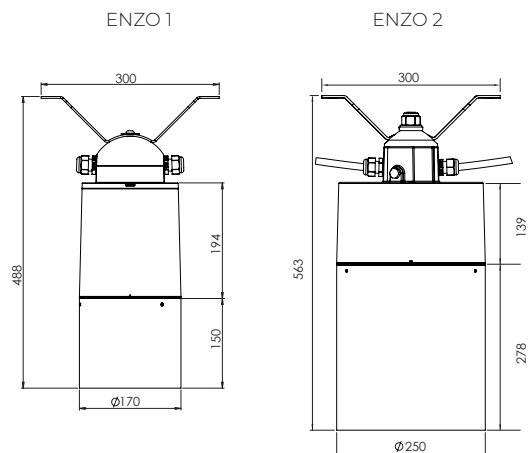
ENZO 2



### General description

<b>Model</b>	ENZO 1	ENZO 2
<b>Luminaire body</b>	Die-cast aluminium body	
<b>Decorative motif</b>	BULLE, VENGA, LIN or customisable on request	
<b>Globe</b>	PPS: Structured Flat Polycarbonate MHC: High-clarity Methacrylate with structured underside	
<b>Finish</b>	Polyester powder coating, choice of colours	
<b>Shock resistance</b>	IK 10	
<b>Leak tightness</b>	Leak tightness level IP 66 as per the EN 60 529 standard Extruded silicone seal Luminaire 'breathes' through an active carbon filter	
<b>Dimensions (diam. x h)</b>	170 x 344 mm	250 x 417 mm
<b>High globe without fixings</b>		
<b>Weight</b>	3.5 kg	5.7 kg
<b>SCx</b>	0.06 m <sup>2</sup>	0.1 m <sup>2</sup>
<b>Material assessment</b>	PEP (Product Environmental Profile) sheet available on request	
<b>Electrical class</b>	Class I or II	

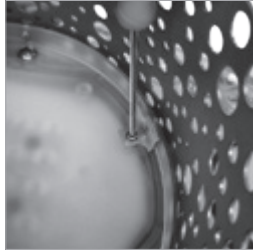
### Wired



## Maintenance

### Gear maintenance

Removal of the LED module from the lower part with 3 screws, safety cable  
Removable gear plate secured by 3 screws



## Sources & photometric distributions

	ENZO 1	ENZO 2
<b>Sources</b>	1 BLS 8 1 BLS RGBW <sup>(2)</sup> 1 BLS 8 and 1 BLS RGBW <sup>(2)</sup>	1 BLS 8, 2 BLS 8 or 24 LED AXEL 1 or 2 BLS RGBW <sup>(2)</sup> 1 BLS 8 and 1 BLS RGBW <sup>(2)</sup>
<b>Colour temperature</b>	Amber*, 2200 K, 2700 K, 3000 K or 4000 K	
<b>Lenses and distributions</b>	<b>QUADRALENS:</b> ERS, ERL, ECa, LRS, LRL, ERE, ETS, PFA, EPD, EPG	
<b>Supply current</b>	Adjustable up to 700 mA <sup>(1)</sup>	

\*Approximately 1800 K **(1)** > 700 mA possible on request. **(2)** Colour to be defined according to its RGB code available online.  
**E/L/P:** Lighting/Luminance/Projection, **R/C/T/F/P:** Road/Ring road/Pavement/Beam/Pedestrian crossing, **E/S/L/A/D/G:** Narrow/Standard/Wide/Asymmetrical/Right/Left,

## Mechanical interfaces



**CATENARY:** tiltable catenary mounting  $\pm 15^\circ$  on cables with a diameter of 6 to 14 mm



**SUSPENDED:** top nipple  $\varnothing 27$  PDG mounting for ENZO 2



**WALL LIGHT:** pole-top and wall-mounted for ENZO 1

## Smart

	ENZO 1	ENZO 2
<b>At the lighting point</b>		
Adjustable power supply current (driver or pole foot)	✓	✓
Dimming (driver, pole foot or Bluetooth)	✓	✓
DALI or DMX protocols	✓	✓
Smart-Ready® pre-fittings (ZD4i)	-	✓
<b>In a local network</b>		
Wired connected detection	✓	✓
Wireless communicating detection	✓	✓
<b>Remote management</b>		
Remote management WIZARD	-	✓

## Decorative pattern



BULLE pattern



VENGA pattern



LIN pattern



Customisable pattern option (subject to study)

### COMPLIANT WITH THE "LIGHT POLLUTION LIMITATION ORDER" OF 27 DECEMBER 2018 [except in specific restricted areas]:

All versions of the ENZO luminaire:

- ULR of the luminaire: less than 1%
- CIE Flux Code No. 3: greater than 95%
- Colour temperatures (BLS version: 2700 K to 3000 K)
- Surface density determined by the ECLATEC design office after project data analysis
- Light intrusion:
  - as an option, adjustable cut-off shields for LED sources
  - installation recommendations to define light intrusion
- Provision via flashcode of all mandatory information required by the manager









# ECLATEC

41 rue Lafayette, CS 20069 Maxéville  
54528 Laxou cedex, France  
Phone: +33 (0)3 83 39 38 00  
[www.eclatec.com](http://www.eclatec.com)



**ecosystem**

Reproduction of this document is prohibited without the prior written permission of ECLATEC - Copyright ECLATEC - Document and photographs are not contractually binding. The description of the products and the dimensions given are for guidance only and cannot be construed as a binding commitment by our company, which reserves the right to make any changes it deems necessary without prior notice. Service Communication Eclatec - Photo credits: ©Eclatec, ©iStock

Edition  
**01/2026**