

**MaxiLED**  
Lighting



**MaxiGOBO 400**

# MaxiGOBO 400



## Precision Projection, Built to Endure

The **MaxiGOBO 400** is a robust, weather-resistant gobo projector engineered for high-impact outdoor and indoor visual displays.

Housed in a high-strength aluminum alloy body with IP65-rated protection, it's built to withstand the toughest environments while delivering crisp, vibrant imagery.

Equipped with a 6-pattern gobo wheel, electronic linear focus, and motorized zoom from 10° to 50°, the **MG-400** offers remarkable flexibility and creative control. Its intuitive swivel bracket allows for fast, versatile mounting, making it ideal for architectural lighting, branding projections, or immersive scenic effects.



# MaxiGOBO 400

## Specifications

Working Voltage : **AC110-240V**

Power : **400W**

Electrical Shock Protection : **Class I**

Control Protocol: **DMX512, Auto**

Light Source: **LED**

Color Temperature : **7500K**

Beam Angle : **10° ~ 50° zoom automatic**

Effect: **6 rotating full-colour gobos**

Housing : **Aluminium**

Installation : **Bracket**

Weight : **15 kg**

IP Rated : **IP65**

Life: **> 40000 hrs**

Efficiency: **≥ 30lm/w**

Channels: **10**

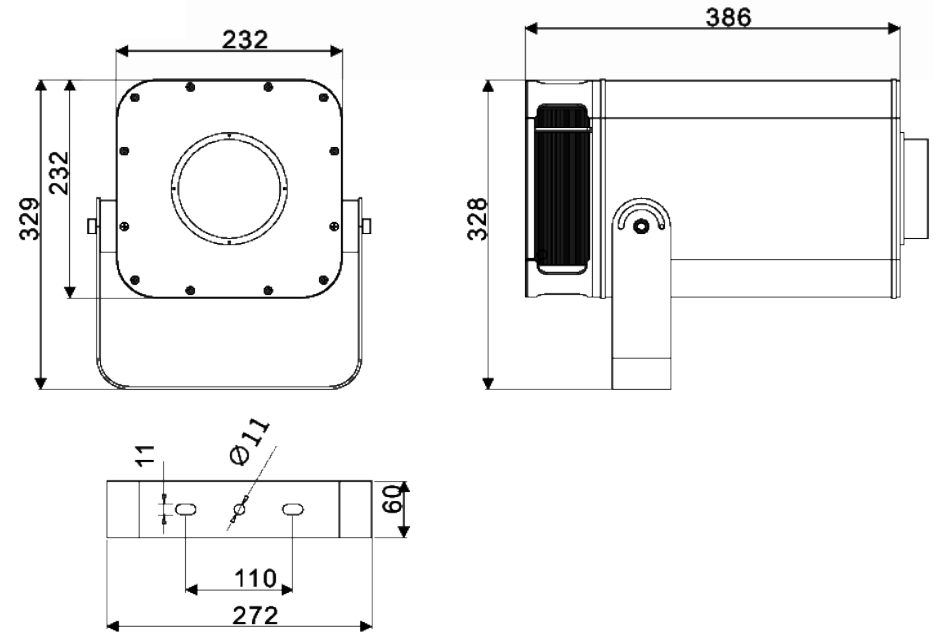
## Features



## Finishes



## Dimensions (mm)

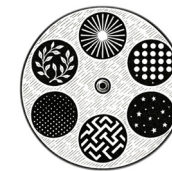


## Gobos size (mm)

OD: 25.8

ID : 20

Thickness : 1.1



## Dynamic effect

Optional

# MaxiGOBO

## Channels (DMX 512 Configuration)

Channel	Function	Value	Description
Ch 1	Strobe	0 - 7	Turn off
		4 - 75	Strobe 1
		76 - 145	Strobe 2
		146 - 215	Strobe 3
		216 - 255	Turn on
Ch 2	Dimmer	0 - 255	Linear dimmer
Ch 3	Gobo rotation	0 - 9	Gobo 1
		10 - 19	Gobo 2
		20 - 29	Gobo 3
		30 - 39	Gobo 4
		40 - 49	Gobo 5
		50 - 59	Gobo 6
		60 - 69	Gobo 1 shake slow to fast
		70 - 79	Gobo 2 shake slow to fast
		80 - 89	Gobo 3 shake slow to fast
		90 - 99	Gobo 4 shake slow to fast
		100 - 109	Gobo 5 shake slow to fast
		110 - 119	Gobo 6 shake slow to fast
		120 - 149	From fast to slow positive flow
		150 - 179	From slow to fast reverse flow
		180 - 217	Dwell time from fast to slow positive flow
218 - 255	Dwell time from slow to fast reverse flow		
Ch 4	Gobo Auto-rotation	0 - 127	0 - 360°
		128 - 190	From fast to slow positive flow
		191 - 192	Stop
		193 - 255	From slow to fast reverse flow
Ch 5	Auto-rotation Fine	0 - 255	/
Ch 6	Zoom	0 - 255	From small to large
Ch 7	Zoom fine	0 - 255	From small to large
Ch 8	Focus	0 - 255	From far to near
Ch 9	Focus fine	0 - 255	From far to near
Ch 10	Reset	200 - 209	Reset all motors in more than 6 seconds

## Certifications



# MaxiGOBO 400



**MaxiLED Lighting**

Unit 2, Farrington Place, Rossendale Road Ind. Est. Burnley, Lancashire. UK. BB11 5TY  
T: +44 (0)1282 448086 E: [sales@maxiledlighting.com](mailto:sales@maxiledlighting.com) Web: [www.maxiledlighting.com](http://www.maxiledlighting.com)