

MaxiLED
Lighting



MaxiGOBO 80

MaxiGOBO 80



Brighter Performance, Same Compact Design

The **MaxiGOBO 80** combines the compact design and simplicity of the MG-60 with enhanced light output, delivering brighter, more visible projections for medium-scale applications.

Featuring a single full-color gobo, selectable beam angles from 10° to 60°, and optional DMX512 control, the **MG-80** ensures reliable performance in a lightweight, easy-to-install body.

With its IP65-rated aluminum housing and high-efficiency 80W LED engine, this projector is ideal for logos, signage, and decorative lighting in both indoor and outdoor environments.

Powerful, compact, and versatile — the **MaxiGOBO 80** is the smart choice for permanent installations, shopfronts, themed attractions, and architectural projects that demand quality and impact.



80W



>40,000hrs
HIGH
PERFORMANCE



IP65



4KG



DALI
OPTIONAL



DMX
COMPATIBLE



SINGLE
GOBO



EASY
INSTALLATION

MaxiGOBO 80

Specifications

Working Voltage : **AC110-240V**

Power : **80W**

Electrical Shock Protection : **Class I**

Control Protocol: **DMX512, Auto, DALI (on request)**

Light Source: **LED**

Color Temperature : **7500K**

Beam Angle : **10° /20° /30° /45° /60°**

Effect: **1 full-colour gobo**

Housing : **Aluminium**

Installation : **Bracket**

Weight : **4 kg**

IP Rated : **IP65**

Life: **> 40000 hrs**

Efficiency: **≥ 30lm/w**

Channels: **2**

Certification: **CE, ROHS**

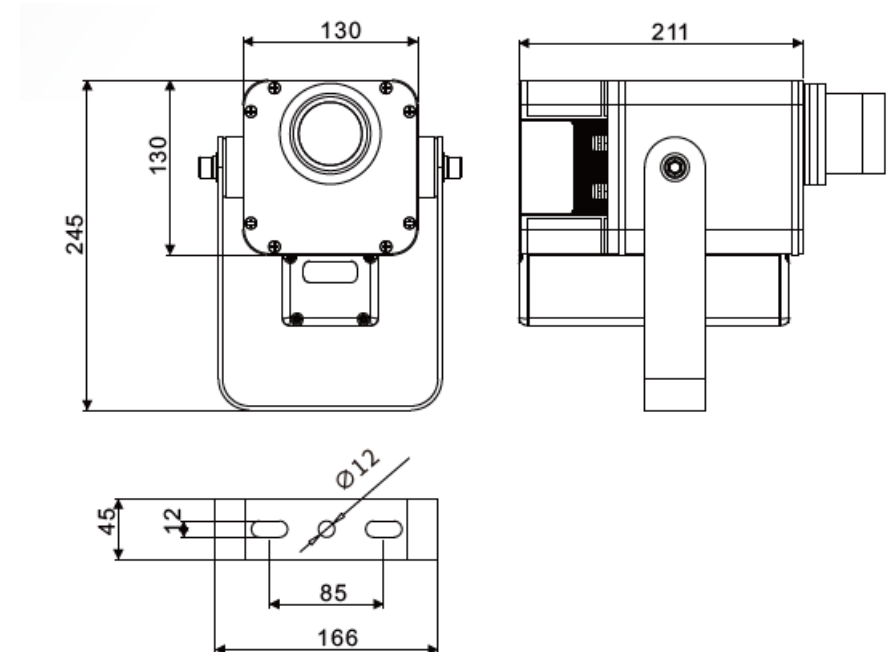
Features



Finishes



Dimensions (mm)



Gobos size (mm)

OD: 37,5

ID : 24

Thickness : 1.1

Certifications



MaxiLED
Lighting

MaxiGOBO 80



MaxiLED Lighting

Unit 2, Farrington Place, Rossendale Road Ind. Est. Burnley, Lancashire. UK. BB11 5TY
T: +44 (0)1282 448086 E: sales@maxiledlighting.com Web: www.maxiledlighting.com