

**MaxiLED**  
Lighting



**MaxiGOBO 60**

# MaxiGOBO 60



## Small Format, Big Impression

Compact yet impactful, the **MaxiGOBO 60** is designed for projects where space and simplicity are key - but quality can't be compromised.

With its IP65-rated construction and high-efficiency LED engine, this 60W gobo projector is ideal for logos, signage, and subtle visual effects in both indoor and outdoor environments.

Featuring a single full-color gobo, selectable beam angles (10° to 60°), and optional DMX512 control, the **MG-60** offers reliable performance in a lightweight, easy-to-install form.

It's the smart choice for permanent installations, shopfronts, themed attractions, and beyond.



# MaxiGOBO 60

## Specifications

Working Voltage : **AC110-240V**

Power : **60W**

Electrical Shock Protection : **Class I**

Control Protocol: **DMX512, Auto**

Light Source: **LED**

Color Temperature : **7500K**

Beam Angle : **10° /20° /30° /45° /60°**

Effect: **1 full-colour gobo**

Housing : **Aluminium**

Installation : **Bracket**

Weight : **4 kg**

IP Rated : **IP65**

Life: **> 40000 hrs**

Efficiency: **≥ 30lm/w**

Channels: **2**

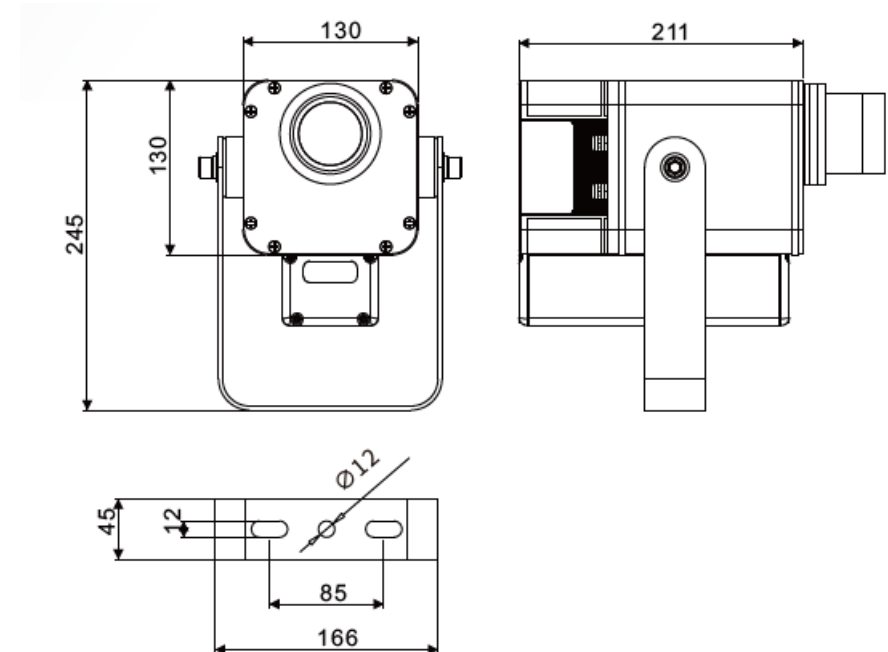
## Features



## Finishes



## Dimensions (mm)



## Gobos size (mm)

OD: 37,5

ID : 24

Thickness : 1.1

## Certifications



# MaxiGOBO 60



**MaxiLED Lighting**

Unit 2, Farrington Place, Rossendale Road Ind. Est. Burnley, Lancashire. UK. BB11 5TY  
T: +44 (0)1282 448086 E: [sales@maxiledlighting.com](mailto:sales@maxiledlighting.com) Web: [www.maxiledlighting.com](http://www.maxiledlighting.com)