



Adhara

Alnair

Capella

Meissa

Nunki

Rigel

New Lighting Solutions

A red pendant lamp and a blue pendant lamp hanging against a black background. The red lamp is in the upper center, and the blue lamp is on the right side, partially cut off.

# Indoor

With a wide range of designs, measurements, colours, finishes and installation systems, we leave our latest collection of technical-decorative luminaires in the hands of your creativity.

Multiple combinations are possible for creating unique spaces with efficient and precise lighting.

Quality by default, lighting to be enjoyed.

**ROVASI**  
Positive Lighting



---

**LED RETROFIT** (lamp not included)

---

min 13.5W <-> max 24.3W

max 15W

min 1004lm <-> max 2663lm

Lampholder E27

CRI 80 | CRI 90

2700K | 3000K | 4000K

---

**ELECTRONIC EQUIPMENT**

---

On/Off

Driver not required

DALI-2

---

**BEAM ANGLE**

---

>70°

Depending on the lamp

---

**PROTECTION**

---

IP20

---

**INSTALLATION OPTIONS**

---

Surface-mounted

Pendant with a recessed base

Pendant with ceiling rose

Pendant with three-phase track adapter





## Adhara

Featuring a large diameter, the main characteristic of this luminaire is the flattened dome design.

Its functionality combines perfectly with elegant finishes for incredible style and a cosy atmosphere.

---

**LED COB**

min 13.5W <-> max 24.3W

min 648lm <-> max 1718lm

CRI 80 | CRI 90

2700K | 3000K | 4000K

---

**LED RETROFIT** (lamp not included)

max 15W

Lampholder E27

---

**ELECTRONIC EQUIPMENT**

On/Off

Driver not required

DALI-2

---

**BEAM ANGLE**

40° - 70°

Depending on the lamp

---

**PROTECTION**

IP20

---

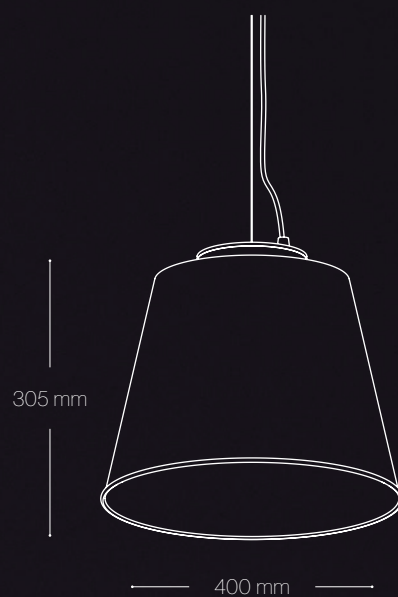
**INSTALLATION OPTIONS**

Surface-mounted

Pendant with a recessed base

Pendant with ceiling rose

Pendant with three-phase track adapter





## Alnair

A versatile design that transforms any space by offering focused lighting and personality in contemporary spaces.

---

**LED COB**

min 13.5W <-> max 24.3W

min 972lm <-> max 2577lm

CRI 80 | CRI 90

2700K | 3000K | 4000K

---

**LED RETROFIT** (lamp not included)

max 15W

Lampholder E27

---

**ELECTRONIC EQUIPMENT**

On/Off

Driver not required

DALI-2

---

**BEAM ANGLE**

>70°

Depending on the lamp

---

**PROTECTION**

IP20

---

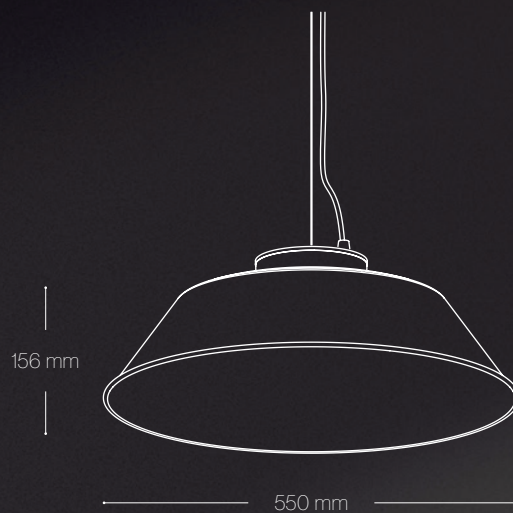
**INSTALLATION OPTIONS**

Surface-mounted

Pendant with a recessed base

Pendant with ceiling rose

Pendant with three-phase track adapter







# Capella

Intended for lighting large spaces, Capella lets you create a comfortable atmosphere with diffuse and uniform lighting.

Transform the luminaire with a vibrant and eye-catching colour or with a warm and subtle finish.

---

**LED COB**

min 7W <-> max 19.5W  
min 406lm <-> max 1755lm  
CRI 80 | CRI 90  
2700K | 3000K | 4000K

---

**LED RETROFIT** (lamp not included)

max 15W  
Lampholder E27

---

**ELECTRONIC EQUIPMENT**

On/Off  
DALI-2

Driver not required

---

**BEAM ANGLE**

>70°

Depending on the lamp

---

**PROTECTION**

IP20

---

**INSTALLATION OPTIONS**

Surface-mounted  
Pendant with a recessed base  
Pendant with ceiling rose  
Pendant with three-phase track adapter





## Meissa

Functionality and elegance come in equal measure with this luminaire.

Its hemispherical design adds a sophisticated, yet also practical touch, to the lighting of your space.

---

**LED COB**

min 7W <-> max 19.5W  
min 455lm <-> max 1966lm  
CRI 80 | CRI 90  
2700K | 3000K | 4000K

---

**LED RETROFIT** (lamp not included)

max 15W  
Lampholder E27

---

**ELECTRONIC EQUIPMENT**

On/Off  
DALI-2

Driver not required

---

**BEAM ANGLE**

>70°

Depending on the lamp

---

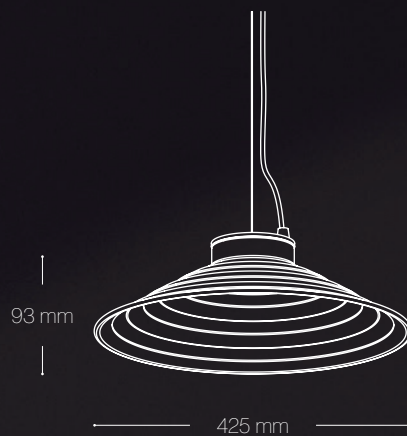
**PROTECTION**

IP20

---

**INSTALLATION OPTIONS**

Surface-mounted  
Pendant with a recessed base  
Pendant with ceiling rose  
Pendant with three-phase track adapter





## Nunki

Nunki is a piece that will enhance your ambience.

Its design makes it an accessory that fits perfectly in any space.

---

**LED COB**

min 7W <-> max 19.5W  
min 441lm <-> max 1906lm  
CRI 80 | CRI 90  
2700K | 3000K | 4000K

---

**LED RETROFIT** (lamp not included)

max 15W  
Lampholder E27

---

**ELECTRONIC EQUIPMENT**

On/Off  
DALI-2

Driver not required

---

**BEAM ANGLE**

>70°

Depending on the lamp

---

**PROTECTION**

IP20

---

**INSTALLATION OPTIONS**

Surface-mounted  
Pendant with a recessed base  
Pendant with ceiling rose  
Pendant with three-phase track adapter





## Rigel

Elegant and functional design that combines with some impressive colours.

Illuminate and enrich any space by adding style and pleasant lighting.

# Finishes for indoor luminaires

**Whether to blend the luminaire into the space, or to make the luminaire stand out, we have selected a standard palette of 12 RAL colours.**

Two options are available for the finish:

- one single RAL colour for the whole luminaire.
- two-colour finish: one finish for the inside of the lampshade and an RAL colour for the rest of the luminaire.

If you want another colour from the RAL range, just pick one and let us know. As genuine manufacturers, we can fully customise the finish on your luminaire.







Which combination you choose of the various luminaire designs and available colours is limited only by your creativity.

#### LAMPSHADE EXTERIOR RAL COLOUR

---

- RAL9010
- RAL9005
- RAL1023
- RAL1037
- RAL2012
- RAL3000
- RAL5024
- RAL5003
- RAL6018
- RAL6000
- RAL8001
- RAL8016

#### LAMPSHADE INTERIOR FINISH

---

Same RAL colour as the exterior of the lampshade

- RAL9010
- RAL9005
- Golden
- Silvered
- Copper

# Luminaires for indoor spaces

- Luminaires with symmetrical light distribution.
- Aluminium body and reflector.
- Painted with liquid paint, textured finish.
- On luminaires with LED COB, silicon optics for controlling and aiming the light.
- Removable lampshade that can be easily replaced with another design or finish.



**Recommended applications:** offices, restaurants, private homes, shops and large retail stores. Any space where the point of light needs to be brought closer to the work surface, whether to create a warm and cosy atmosphere, or to illuminate large spaces with diffuse uniform lighting.

Because every space is unique and has its own specific characteristics, including the installation needs, we offer several options so you can choose the one that best suits the requirements of your project.

**Surface-mounted**

Driver inside the luminaire



**Pendant with three-phase track adapter**

Driver in the rail adapter  
Supplied with 1 meter steel cord



**Pendant with ceiling rose**

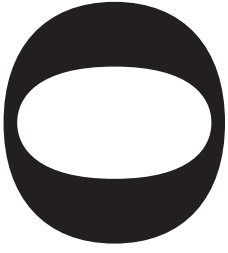
Driver in the ceiling rose  
Supplied with 1 meter steel cord



**Pendant with recessed base**

Remote driver in above a hung ceiling  
Supplied with 1 meter steel cord





# About ROVASI

## At ROVASI, we know the value of lighting.

We have been designing, developing and manufacturing indoor and outdoor luminaires for over 30 years. From our factory in Centelles | Barcelona, we participate in lighting projects over the World. Our products can be found in more than 90 countries on all five continents.

The high quality of our luminaires, their elegant and functional design, a wide range of solutions, our excellent customer care, and a friendly personalised service are the characteristics that distinguish us.

## Our company has always prioritised the premium quality and functionality of our products.

The quality of lighting is an extremely important factor in any space. Quality lighting can only be created from quality luminaries.

Our luminaires are the result of meticulous design and the very best materials and components.

Great care is taken during every stage of the process; from initial idea through to the design, development and manufacture of each and every one of our lighting solutions.

All our products are manufactured in Centelles under strict quality control processes guaranteed by ISO 9001:2015 standards for more than 25 years.



## Our luminaires and our process are designed to have a low environmental impact.

We guarantee the durability of the luminaires through neutral and timeless designs.

We conduct a rigorous selection of all components to achieve comprehensive quality.

We always seek maximum efficiency through the light sources and drivers we use and diligently design our optics and reflectors.

The main and prioritized materials used when manufacturing the luminaires are recyclable and we also prioritise the use of recycled materials .

Both the light source and the driver are easily replaceable, and the luminaire can be repaired.

At the end of their useful life, our products can be easily disassembled and separated into their component parts for correct recycling of the materials.

We are committed to local production with a network of local suppliers.

To prevent stockpiles of obsolete product, we only work to order.

We actively manage and strive to reduce greenhouse gas (GHG) emissions.



**You have an idea, we have the tools.**

Flexibility is what enables us to meet the needs of our customers.

Our installations are fully equipped with the necessary resources and the best specialised professionals to take on any custom order.

We can make minor modifications to products that already exist or we can create entirely new ones based on your technical needs and design criteria.



**rovasi.com, the tool for excellence**

Our range includes over 41,000 luminaires for both indoors and outdoors that can be customised with a range of colour finishes and electronic equipment.

On our website, you can easily and quickly find the best solution for your lighting project. The technical details and necessary documentation and work files are all available so you can easily undertake your lighting study and obtain outstanding results.



**We work in synergy with the professionals in the sector.**



Reproduction of this catalogue in part or full is expressly forbidden without written permission in advance from ROVASI. The information contained in this catalogue is given as a general guide only. Certain products in this catalogue may be modified, substituted or deleted without notice or any obligation liability on the part of ROVASI. We reserve the right to make alterations in the shape, colour, construction and design of our products, without prior notice. Our policy is the constant improvement of the product. Therefore, we follow the interesting changes that the LED technology supposes. Current details should therefore be checked with ROVASI. Updated data will be supplied on request. Unless otherwise specified, LED components are part of the fitting. Lighting fixtures and electrical equipment are supplied to be used at 230V-240V / 50Hz-60Hz. General terms and conditions of sale are shown on our separate price list.

All ROVASI product documentation can be found at [www.rovasi.com](http://www.rovasi.com)

ROVASI is a registered trademark.

Centelles | Barcelona , September 2024



EUROPEAN UNION

European Regional Development Fund

A way to make europe.

# ROVASI

Positive Lighting

Ronda de la Font-Grossa, 15  
Pol. Ind. La Gavarra  
08540 Centelles I Barcelona

T. +34 93 881 35 12  
F. +34 93 881 35 13

info@rovasi.com  
**rovasi.com**

---

 [facebook.com/rovasi.sl](https://facebook.com/rovasi.sl)

 [twitter.com/rovasi\\_sl](https://twitter.com/rovasi_sl)

 [linkedin.com/company/rovasi](https://linkedin.com/company/rovasi)

 [instagram.com/rovasi\\_sl](https://instagram.com/rovasi_sl)