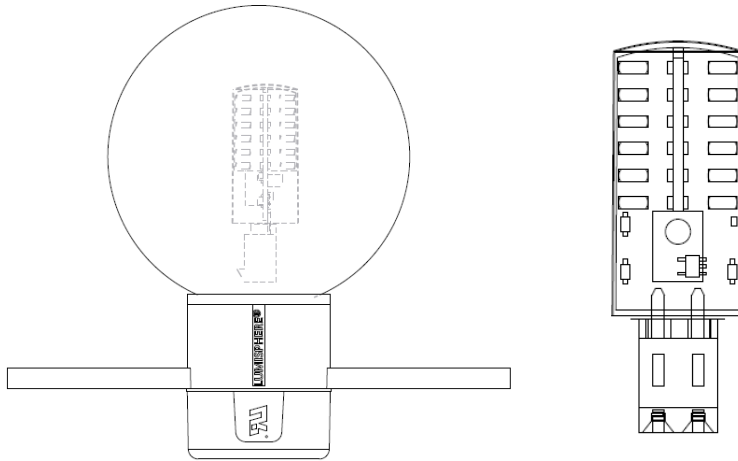


Lumisphere® X12 Large Harness Orbical 360/48



Features

12v AC/DC SELV

IP68 rated

BS EN 60958 CE UL Listed

Average life 50,000hrs

More on the LED

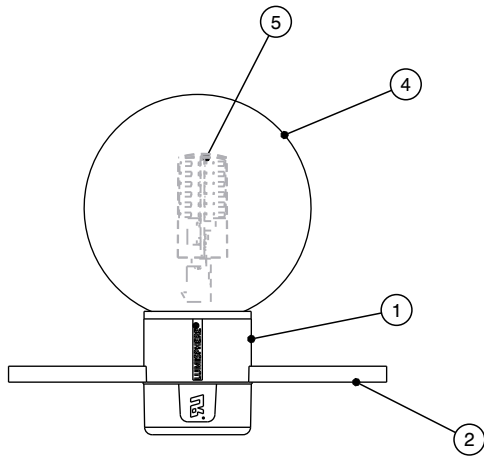
The Lumisphere® Orbical 360_48 is a plug in LED module which uses 48 SMD LEDs to create a bright and vibrant light with a similar light appearance to that of a traditional bulb. The 48 module LED light unit consuming 2.0watts is designed as simple retro fit LED for any Lumisphere® existing X12 system.

Technical Data:

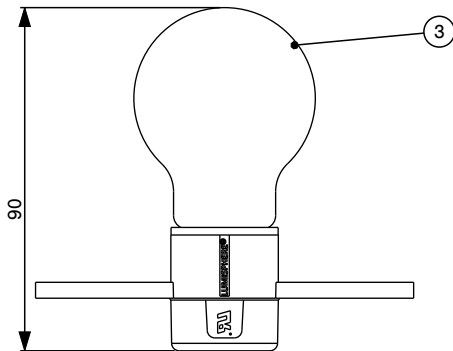
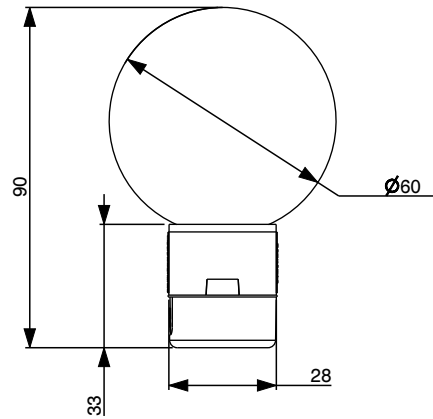
- 12v AC/DC 48 module
- Dimmable only on DC
- Colours: - Warm White, Cool White, Red, Blue, Amber, Green and Purple.
- Cool White: - 5500 – 6800k
- Warm White: - 2700k – 3000k
- CRI - 80
- Flux/M Lm - 130

More on our X12 system

| | | |
|--------------|--|---|
| LAMP HOLDERS | Material Flammability | Nylon 66 Self extinguished grade UV stabilised Flammability rating to ASTN D 635 U.L. V2 UL Listing E170572 UL2108 compliant |
| GLOBE | Material Flammability Tensile Strength Impact Resistance | Polycarbonate UV stabilised Flame retardant grade U.L. V2 700KKG/CM2 80Kg CM/CM |
| LAMPS/LED's | X12 | Xenon light capsules & LED's (various) |
| CABLE | Material Flammability | Twin conductor stranded tinned copper 60/0.25 3.00mm2 Sheath – heat, oil and flame-retardant rubber UV stabilised Conforms to BS4066 Part 1. EIC 332-1 UL. Listed No. E168888 (M) UL Listing E168888 |



G Type Globe Option



A Type Globe Option

Maximum number of lamps with 2 metres to first light

| Spacing | Maximum No of Orbical 48 LED's |
|---------|--------------------------------|
| 1000mm | 70 |
| 500mm | 90 |
| 330mm | 100 |
| 250mm | 125 |

Light unit weight - 33g

Cable weight per metre - 100g

| Item No | Description | Part No: |
|---------|---------------------------------------|------------|
| 1 | X12 Lampholder Black | LHCX12 - B |
| | X12 Lampholder White | LHCX12 - W |
| 2 | Large harness cable Black | LHCCAB |
| | Large harness cable White | LHCCAW |
| 3 | Globes "A" Type Clear | LHCglCA |
| | Globes "A" Type Frosted | LHCglFA |
| | Globes "A" Type Red | LHCglRA |
| | Globes "A" Type Amber | LHCglAA |
| | Globes "A" Type Purple | LHCglPA |
| | Globes "A" Type Green | LHCglGA |
| | Globes "A" Type Blue | LHCglBA |
| 4 | Globes "G" Type Clear | LHCglCG |
| | Globes "G" Type Frosted | LHCglFG |
| | Globes "G" Type White | LHCglWG |
| | Globes "G" Type Red | LHCglRG |
| | Globes "G" Type Amber | LHCglAG |
| | Globes "G" Type Purple | LHCglPG |
| | Globes "G" Type Green | LHCglGG |
| | Globes "G" Type Pink | LHCglPG |
| | Globes "G" Type Blue | LHCglBG |
| 5 | Orbical 360/48 module only Warm White | LHC36048WW |
| | Orbical 360/48 module only Cool White | LHC36048CW |
| | Orbical 360/48 module only Red | LHC36048R |
| | Orbical 360/48 module only Green | LHC36048G |
| | Orbical 360/48 module only Blue | LHC36048B |
| | Orbical 360/48 module only Amber | LHC36048A |
| | Orbical 360/48 module only Purple | LHC36048P |

THIS DRAWING AND DESIGN IS THE PROPERTY OF LUMISPHERE PRODUCTS LTD AND MUST NOT BE COPIED, LOANED, NOR ANY INFORMATION CONTAINED HEREIN TRANSFERRED TO A PART WITHOUT CONSENT OF LUMISPHERE PRODUCTS LTD.

REVISIONS

| REV | DRAWN | CHECKED | DATE |
|-----|-------|---------|------|
| | | | |

| | | | | |
|---|----------|--|------------|-----|
| | DOC TYPE | 3RD ANGLE PROJ. DIMENSIONS ARE IN MILLIMETRES. | SHT No | 1 |
| | DRAWN | TITLE | SCALE | 1:2 |
| REGISTERED OFFICE: HALLGARTH ACCOUNTANTS LTD, 2 HALLGARTH, PICKERING, YO187A, REGISTERED NUMBER 2335636 | CHECKED | X12 SYSTEM Orbical 48 | SIZE | A4 |
| | AD | | CAD REV No | 1 |
| SALES TEL: 01245 329999 HEAD OFFICE TEL: 01751 411942 | APPROVED | PART NUMBER | | |
| | AD | | | |