

MORFI MINI



MORFI MINI is not just a customised product with an innovative design, but also a working tool for the lighting designers and engineers.

It combines the aesthetic with the latest LED technological standards and meets the various needs of the customers in a bespoke way: it allows them to “think big” offering totally unexpected results even to large scale projects.

Technical Features

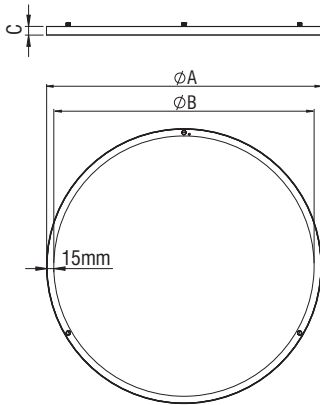
- Aluminium body, painted electrostatically in selected colour.
- High efficient polycarbonate satin cover.
- Direct / Indirect illumination.
- Pure light without IR/UV radiation.
- Operation life: 50,000 hours with efficiency > 80% of the initial luminous flux (L80B10).
- Connection for operation on 230V/50Hz.

Upon Request

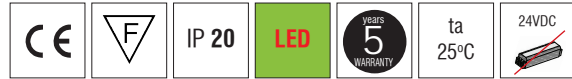
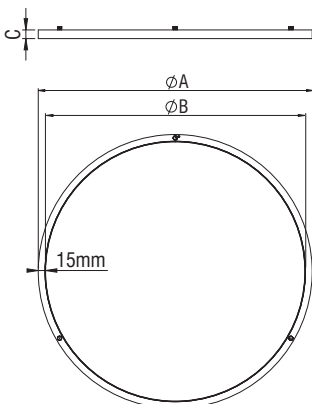
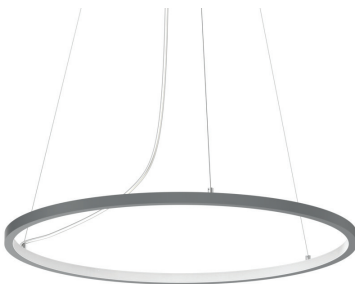
- At special shapes and dimensions.

MORFI MINI

MORFI MINI OUT



MORFI MINI IN



- Aluminium body, painted electrostatically in selected colour.
- High efficient polycarbonate satin cover.
- With transparent cable 2x0,75mm² 2,5m.
- Rosette, driver 24V DC and suspensions not included.
- CRI: min. 80 / SDCM: 3
- Luminous Efficacy:
140Lm/W at 4000 K
133Lm/W at 3000 K

Code	Description	Dimensions mm		
		ØA	ØB	C
8208000	Morfi Mini 1 In 14W 24V DC	310	280	18
8208001	Morfi Mini 1 Out 14W 24V DC	310	280	18
8208002	Morfi Mini 2 In 19W 24V DC	405	375	18
8208003	Morfi Mini 2 Out 19W 24V DC	405	375	18
8208004	Morfi Mini 3 In 29W 24V DC	600	570	18
8208005	Morfi Mini 3 Out 29W 24V DC	600	570	18
8208006	Morfi Mini 4 In 38W 24V DC	790	760	18
8208007	Morfi Mini 4 Out 38W 24V DC	790	760	18
8208008	Morfi Mini 5 In 48W 24V DC	980	950	18
8208009	Morfi Mini 5 Out 48W 24V DC	980	950	18

LED COLOUR CODES:

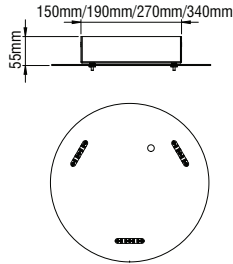
2 Warm 3 Neutral

Colour Codes:

0 Colours 1 White 2 Titan 3 Black

MORFI MINI

MORFI MINI ROSETTE AND SUSPENSION



- For pendant use.
- Body from aluminium profile.
- Driver and suspensions not included.

Code	Description
82050	Rosette Ø250
82051	Rosette Ø300
82052	Rosette Ø420
82053	Rosette Ø500
900081	Single Suspension Morfi Mini 0,5m (3 pieces needed)*
900082	Single Suspension Morfi Mini 1m (3 pieces needed)*
900083	Single Suspension Morfi Mini 1,5m (3 pieces needed)*
900084	Single Suspension Morfi Mini 2m (3 pieces needed)*
900085	Single Suspension Morfi Mini 3m (3 pieces needed)*

* For installation at the rosette

Colour Codes:

0 Colours 1 White 2 Titan 3 Black

DRIVERS

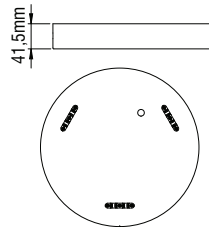
Code.	Description
800099	Driver 50W 24V DC
800098	Driver 100W 24V DC
800058	Driver 150W 24V DC
800088	Driver 320W 24V DC
800018	Driver 60W 24V DC Dimmer Dali / Push Button
800017	Driver 100W 24V DC Dimmer Dali / Push Button
800101	Driver 60W 24V DC Dimmer Phase cut
800102	Driver 100W 24V DC Dimmer Phase cut

ROSETTE AND DRIVER SELECTION

DESCRIPTION	ELECTRONIC		DIMMER		
	ROSETTE/CODE	DRIVER/CODE	ROSETTE/CODE	DRIVER (Dali/Push Button) /Code	DRIVER (Phase Cut) /Code
Morfi Mini 1 In/ Out 14W	Ø250/82050x	50W/800099	Ø300/82051x	60W/800018	60W/800101
Morfi Mini 2 In/ Out 19W	Ø250/82050x	50W/800099	Ø300/82051x	60W/800018	60W/800101
Morfi Mini 3 In/ Out 29W	Ø250/82050x	50W/800099	Ø300/82051x	60W/800018	60W/800101
Morfi Mini 4 In/ Out 38W	Ø250/82050x	50W/800099	Ø300/82051x	60W/800018	60W/800101
Morfi Mini 5 In/ Out 48W	Ø250/82050x	100W/800098	Ø300/82051x	60W/800018	60W/800101
Synthesis of Morfi Mini	Ø300/82051x	150W/800058	Ø420/82052x	100W/800017	100W/800102
Synthesis of Morfi Mini			Ø420/82052x	2x60W/2x800018	2x60W/2x800101
Synthesis of Morfi Mini			Ø420/82052x	2x100W/2x800017	2x100W/2x800102
Synthesis of Morfi Mini	Ø500/82053x	2x320W/2x800088	Ø500/82053x	3x100W/3x800017	3x100W/3x800102

MORFI MINI

MORFI MINI ROSETTE MASIF AND SUSPENSION



- For pendant use.
- Body from aluminium.
- Driver and suspensions not included.

Code	Description
82055	Rosette Masif Ø260
82056	Rosette Masif Ø300
82057	Rosette Masif Ø430
900081	Single Suspension Morfi Mini 0,5m (3 pieces needed)*
900082	Single Suspension Morfi Mini 1m (3 pieces needed)*
900083	Single Suspension Morfi Mini 1,5m (3 pieces needed)*
900084	Single Suspension Morfi Mini 2m (3 pieces needed)*
900085	Single Suspension Morfi Mini 3m (3 pieces needed)*

* For installation at the rosette

Colour Codes:

0 Colours 1 White 2 Titan 3 Black

DRIVERS

Code.	Description
800099	Driver 50W 24V DC
800098	Driver 100W 24V DC
800058	Driver 150W 24V DC
800088	Driver 320W 24V DC
800018	Driver 60W 24V DC Dimmer Dali / Push Button
800017	Driver 100W 24V DC Dimmer Dali / Push Button
800101	Driver 60W 24V DC Dimmer Phase cut
800102	Driver 100W 24V DC Dimmer Phase cut

ROSETTE MASIF AND DRIVER SELECTION

DESCRIPTION	ELECTRONIC		DIMMER			
	MORFI MINI IN/OUT	ROSETTE/CODE	DRIVER/CODE	ROSETTE/CODE	DRIVER (Dali/Push Button) /Code	DRIVER (Phase Cut) /Code
Morfi Mini 1 In/ Out 14W		Ø260/82055x	50W/800099	Ø260/82055x	60W/800018	60W/800101
Morfi Mini 2 In/ Out 19W		Ø260/82055x	50W/800099	Ø260/82055x	60W/800018	60W/800101
Morfi Mini 3 In/ Out 29W		Ø260/82055x	50W/800099	Ø260/82055x	60W/800018	60W/800101
Morfi Mini 4 In/ Out 38W		Ø260/82055x	50W/800099	Ø260/82055x	60W/800018	60W/800101
Morfi Mini 5 In/ Out 48W		Ø260/82055x	100W/800098	Ø260/82055x	60W/800018	60W/800101
Synthesis of Morfi Mini		Ø300/82056x	150W/800058	Ø300/82056x	100W/800017	100W/800102
Synthesis of Morfi Mini				Ø300/82056x	2x60W/2x800018	2x60W/2x800101
Synthesis of Morfi Mini				Ø300/82056x	2x100W/2x800017	2x100W/2x800102
Synthesis of Morfi Mini		Ø430/82057x	2x320W/2x800088	Ø430/82057x	4x100W/4x800017	4x100W/4x800102

MORFI MINI

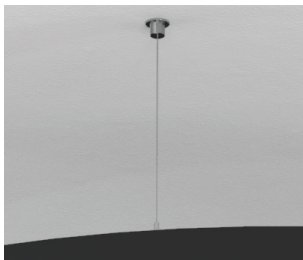
POWER SUPPLY



- For pendant use.
- Body from aluminium profile.
- With transparent cable 3x0,75mm² or 5x0,50mm² for dimmer.
- Square or round version.

Code	Description	Kg
90042	Power Supply 3x0,75mm ² L 2m Ø80	0,130
90043	Power Supply 3x0,75mm ² L 2m Ø70	0,130
90044	Power Supply 3x0,75mm ² L 2m 80x80	0,210
90045	Power Supply 3x0,75mm ² L 2m 70x70	0,200
90048	Power Supply 5x0,50mm ² L 2m Ø100	0,250
90049	Power Supply 5x0,50mm ² L 2m 100x100	0,300

SINGLE SUSPENSION



- For pendant use.

Code	Description
900091	Single Surface Suspension Morfi Mini 0,5m (3 pieces needed)*
900092	Single Surface Suspension Morfi Mini 1m (3 pieces needed)*
900093	Single Surface Suspension Morfi Mini 1,5m (3 pieces needed)*
900094	Single Surface Suspension Morfi Mini 2m (3 pieces needed)*
900095	Single Surface Suspension Morfi Mini 3m (3 pieces needed)*

* For installation at the ceiling

Colour Codes:

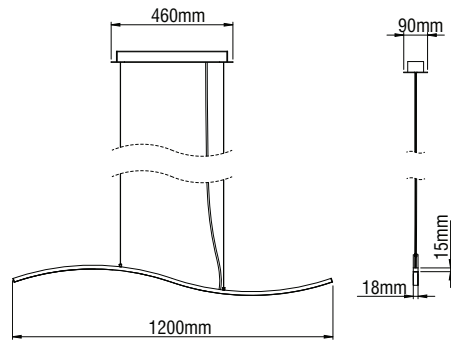
0 Colours 1 White 2 Titan 3 Black

DRIVERS

Code.	Description
800099	Driver 50W 24V DC
800098	Driver 100W 24V DC
800058	Driver 150W 24V DC
800088	Driver 320W 24V DC
800018	Driver 60W 24V DC Dimmer Dali / Push Button
800017	Driver 100W 24V DC Dimmer Dali / Push Button
800101	Driver 60W 24V DC Dimmer Phase cut
800102	Driver 100W 24V DC Dimmer Phase cut

MORFI MINI

MORFI WAVE MINI



Code	Description
8208300	Morfi Mini Linear Wave 18W 24V DC
8208400	Morfi Mini Linear Wave 18W 24V DC Dimmer (Dali/Push Button)
8208440	Morfi Mini Linear Wave 18W 24V DC Dimmer (Phase Cut)

- Aluminium body, painted electrostatically in selected colour.
- High efficient polycarbonate satin cover.
- With transparent cable 2x0,75mm² 2,5m.
- Rosette, driver 24V DC and suspensions 2m included.
- CRI: min. 80 / SDCM: 3
- Luminous Efficacy:
140Lm/W at 4000 K
133Lm/W at 3000 K

LED COLOUR CODES:

2 Warm **3** Neutral

Colour Codes:

0 Colours **1** White **2** Titan **3** Black