

RIM



RIM is not just a customised product with an innovative design, but also a working tool for the lighting designers and engineers. It combines the aesthetic with the latest LED technological standards and meets the various needs of the customers in a bespoke way: it allows them to “think big” offering totally unexpected results even to large scale projects.

Technical Features

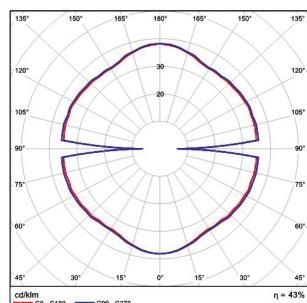
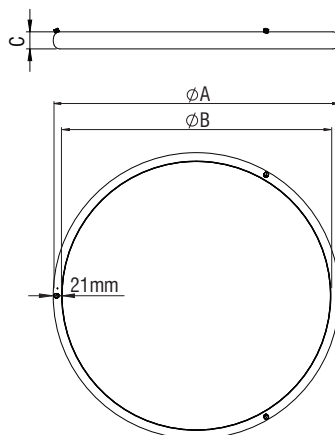
- Aluminium body, painted electrostatically in selected colour.
- High efficient polycarbonate satin cover.
- Direct / Indirect illumination.
- Pure light without IR/UV radiation.
- Operation life: 50,000 hours with efficiency > 80% of the initial luminous flux (L80B10).
- Connection for operation on 230V/50Hz.

Upon Request

- At special shapes and dimensions.

RIM

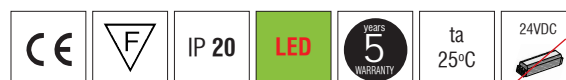
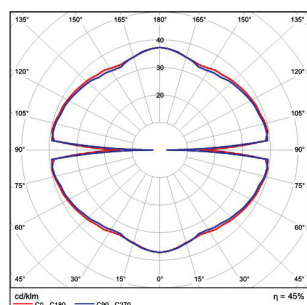
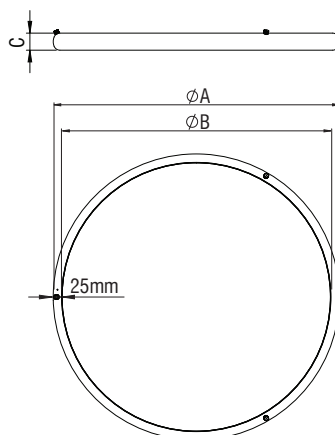
RIM SMALL IN



- Aluminium body, painted electrostatically in selected colour.
- High efficient polycarbonate satin cover.
- With transparent cable 2x0,75mm² 2,5m.
- Rosette, driver 24V DC and suspensions not included.
- CRI: min. 80 / SDCM: 3
- Luminous Efficacy:
140Lm/W at 4000 K
133Lm/W at 3000 K

Code	Description	Dimensions mm		
		ØA	ØB	C
8207000	Rim Small 1 In 30W 24V DC	610	570	28
8207002	Rim Small 2 In 40W 24V DC	805	765	28
8207004	Rim Small 3 In 55W 24V DC	1090	1050	28
8207006	Rim Small 4 In 70W 24V DC	1470	1430	28

RIM MEDIUM IN



- Aluminium body, painted electrostatically in selected colour.
- High efficient polycarbonate satin cover.
- With transparent cable 2x0,75mm² 2,5m up to 80W and 4x0,75mm² 2,5m for more than 80W.
- Rosette, driver 24V DC and suspensions not included.
- CRI: min. 80 / SDCM: 3
- Luminous Efficacy:
140Lm/W at 4000 K
133Lm/W at 3000 K

Code	Description	Dimensions mm		
		ØA	ØB	C
8207010	Rim Medium 1 In 30W 24V DC	610	560	48
8207012	Rim Medium 2 In 40W 24V DC	805	755	48
8207014	Rim Medium 3 In 55W 24V DC	1090	1040	48
8207016	Rim Medium 4 In 70W 24V DC	1470	1420	48
8207020	Rim Medium 1 In2 60W 24V DC	610	560	48
8207022	Rim Medium 2 In2 80W 24V DC	805	755	48
8207024	Rim Medium 3 In2 105W 24V DC	1090	1040	48
8207026	Rim Medium 4 In2 140W 24V DC	1470	1420	48

LED COLOUR CODES:

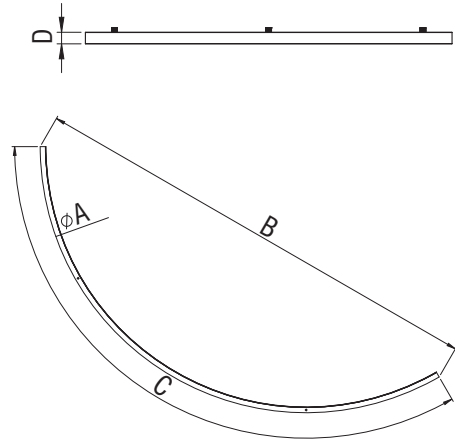
2 Warm 3 Neutral

Colour Codes:

0 Colours 1 White 2 Titan 3 Black

RIM

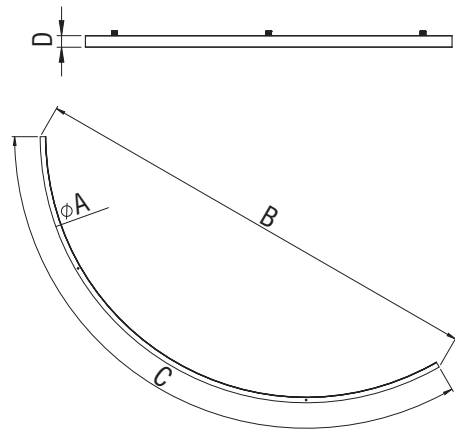
RIM SMALL IN PART



Code	Description	Dimensions mm			
		ØA	B	C ^(o)	D
8207100	Rim Small 5 Part In 32W 24V DC	2010-1970	1740	120	28
8207102	Rim Small 6 Part In 29W 24V DC	3030-2990	1780	72	28
8207104	Rim Small 7 Part In 27W 24V DC	4020-3980	1745	51,43	28
8207106	Rim Small 8 Part In 30W 24V DC	5100-5060	1950	45	28

- Aluminium body, painted electrostatically in selected colour.
- High efficient polycarbonate satin cover.
- With transparent cable 2x0,75mm² 2,5m.
- Rosette, driver 24V DC and suspensions not included.
- CRI: min. 80 / SDCM: 3
- Luminous Efficacy:
140Lm/W at 4000 K
133Lm/W at 3000 K

RIM MEDIUM IN PART



Code	Description	Dimensions mm			
		ØA	B	C ^(o)	D
8207110	Rim Medium 5 Part In 32W 24V DC	2010-1960	1740	120	48
8207112	Rim Medium 6 Part In 29W 24V DC	3030-2980	1780	72	48
8207114	Rim Medium 7 Part In 27W 24V DC	4020-3970	1745	51,43	48
8207116	Rim Medium 8 Part In 30W 24V DC	5100-5050	1950	45	48
8207120	Rim Medium 5 Part In2 63W 24V DC	2010-1960	1740	120	48
8207122	Rim Medium 6 Part In2 57W 24V DC	3030-2980	1780	72	48
8207124	Rim Medium 7 Part In2 54W 24V DC	4020-3970	1745	51,43	48
8207126	Rim Medium 8 Part In2 60W 24V DC	5100-5050	1950	45	48

- Aluminium body, painted electrostatically in selected colour.
- High efficient polycarbonate satin cover.
- With transparent cable 2x0,75mm² 2,5m.
- Rosette, driver 24V DC and suspensions not included.
- CRI: min. 80 / SDCM: 3
- Luminous Efficacy:
140Lm/W at 4000 K
133Lm/W at 3000 K

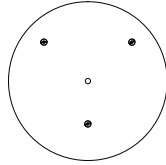
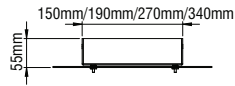
LED COLOUR CODES:

2 Warm 3 Neutral

Colour Codes:

0 Colours 1 White 2 Titan 3 Black

RIM ROSETTE AND SUSPENSION



Colour Codes:

0 Colours 1 White 2 Titan 3 Black

- For pendant use.
- Body from aluminium profile.
- Driver and suspensions not included.

Code	Description
82050	Rosette 250
82051	Rosette 300
82052	Rosette 420
82053	Rosette 500
900101	Single Suspension Morfi/Rim 1m (3 pieces needed)*
900103	Single Suspension Morfi/Rim 2m (3 pieces needed)*
900104	Single Suspension Morfi/Rim 3m (3 pieces needed)*
900105	Single Suspension Morfi/Rim 4m (3 pieces needed)*

* For installation at the rosette

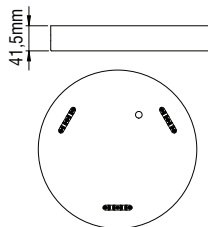
Code	Description
800099	Driver 50W 24V DC
800098	Driver 100W 24V DC
800058	Driver 150W 24V DC
800088	Driver 320W 24V DC
800018	Driver 60W 24V DC Dimmer Dali / Push Button
800017	Driver 100W 24V DC Dimmer Dali / Push Button
800101	Driver 60W 24V DC Dimmer Phase cut
800102	Driver 100W 24V DC Dimmer Phase cut

ROSETTE AND DRIVER SELECTION

DESCRIPTION RIM IN	ELECTRONIC		DIMMER		
	ROSETTE/CODE	DRIVER/CODE	ROSETTE/CODE	DRIVER (Dali/Push Button) /Code	DRIVER (Phase Cut) /Code
Small 1 In/Out 30W	∅250/82050x	50W/800099	∅300/82051x	60W/800018	60W/800101
Small 2 In/Out 40W	∅250/82050x	50W/800099	∅300/82051x	60W/800018	60W/800101
Small 3 In/Out 55W	∅250/82050x	100W/800098	∅300/82051x	60W/800018	60W/800101
Small 4 In/Out 70W	∅250/82050x	100W/800098	∅420/82052x	100W/800017	100W/800102
Medium 1 In/Out 30W	∅250/82050x	50W/800099	∅300/82051x	60W/800018	60W/800101
Medium 2 In/Out 40W	∅250/82050x	50W/800099	∅300/82051x	60W/800018	60W/800101
Medium 3 In/Out 55W	∅250/82050x	100W/800098	∅300/82051x	60W/800018	60W/800101
Medium 4 In/Out 70W	∅250/82050x	100W/800098	∅420/82052x	100W/800017	100W/800102
Medium 1 In2/Out2 60W	∅250/82050x	100W/800098	∅300/82051x	60W/800018	60W/800101
Medium 2 In2/Out2 80W	∅250/82050x	100W/800098	∅420/82052x	100W/800017	100W/800102
Medium 3 In2/Out2 105W	∅300/82051x	150W/800058	∅420/82052x	2x60W/2x800018	2x60W/2x800101
Medium 4 In2/Out2 140W	∅300/82051x	150W/800058	∅420/82052x	2x100W/2x800017	2x100W/2x800102
Synthesis of Rim	∅500/82053x	2x320W/2x800088	∅500/82053x	3x100W/3x800017	3x100W/3x800102

RIM

RIM ROSETTE MASIF AND SUSPENSION



- For pendant use.
- Body from aluminium.
- Driver and suspensions not included.

Code	Description
82055	Rosette Masif Ø260
82056	Rosette Masif Ø300
82057	Rosette Masif Ø430
900101	Single Suspension Morfi/Rim 1m (3 pieces needed)*
900103	Single Suspension Morfi/Rim 2m (3 pieces needed)*
900104	Single Suspension Morfi/Rim 3m (3 pieces needed)*
900105	Single Suspension Morfi/Rim 4m (3 pieces needed)*

* For installation at the rosette

Colour Codes:

0 Colours 1 White 2 Titan 3 Black

DRIVERS

Code.	Description
800099	Driver 50W 24V DC
800098	Driver 100W 24V DC
800058	Driver 150W 24V DC
800088	Driver 320W 24V DC
800018	Driver 60W 24V DC Dimmer Dali / Push Button
800017	Driver 100W 24V DC Dimmer Dali / Push Button
800101	Driver 60W 24V DC Dimmer Phase cut
800102	Driver 100W 24V DC Dimmer Phase cut

ROSETTE MASIF AND DRIVER SELECTION

DESCRIPTION	ELECTRONIC		DIMMER		
	ROSETTE/CODE	DRIVER/CODE	ROSETTE/CODE	DRIVER (Dali/Push Button) /Code	DRIVER (Phase Cut) /Code
Small 1 In/Out 30W	Ø260/82055x	50W/800099	Ø260/82055x	60W/800018	60W/800101
Small 2 In/Out 40W	Ø260/82055x	50W/800099	Ø260/82055x	60W/800018	60W/800101
Small 3 In/Out 55W	Ø260/82055x	100W/800098	Ø260/82055x	60W/800018	60W/800101
Small 4 In/Out 70W	Ø260/82055x	100W/800098	Ø300/82056x	100W/800017	100W/800102
Medium 1 In/Out 30W	Ø260/82055x	50W/800099	Ø260/82055x	60W/800018	60W/800101
Medium 2 In/Out 40W	Ø260/82055x	50W/800099	Ø260/82055x	60W/800018	60W/800101
Medium 3 In/Out 55W	Ø260/82055x	100W/800098	Ø260/82055x	60W/800018	60W/800101
Medium 4 In/Out 70W	Ø260/82055x	100W/800098	Ø300/82056x	100W/800017	100W/800102
Medium 1 In2/Out2 60W	Ø260/82055x	100W/800098	Ø260/82055x	60W/800018	60W/800101
Medium 2 In2/Out2 80W	Ø260/82055x	100W/800098	Ø300/82056x	100W/800017	100W/800102
Medium 3 In2/Out2 105W	Ø300/82056x	150W/800058	Ø300/82056x	2x60W/2x800018	2x60W/2x800101
Medium 4 In2/Out2 140W	Ø300/82056x	150W/800058	Ø300/82056x	2x100W/2x800017	2x100W/2x800102
Synthesis of Rim	Ø430/82057x	2x320W/2x800088	Ø430/82057x	4x100W/3x800017	4x100W/3x800102

RIM

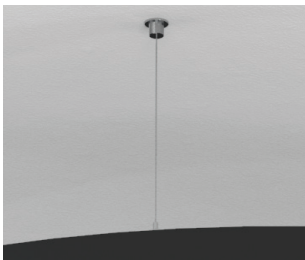
POWER SUPPLY



- For pendant use.
- Body from aluminium profile.
- With transparent cable 3x0,75mm² or 5x0,50mm² for dimmer.
- Square or round version.

Code	Description	Kg
90042	Power Supply 3x0,75mm ² L 2m Ø80	0,130
90043	Power Supply 3x0,75mm ² L 2m Ø70	0,130
90044	Power Supply 3x0,75mm ² L 2m 80x80	0,210
90045	Power Supply 3x0,75mm ² L 2m 70x70	0,200
90048	Power Supply 5x0,50mm ² L 2m Ø100	0,250
90049	Power Supply 5x0,50mm ² L 2m 100x100	0,300

SINGLE SUSPENSION

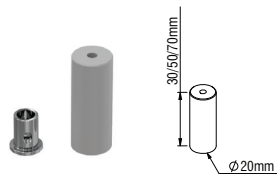
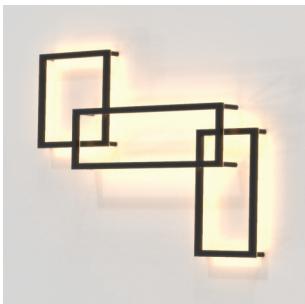


- For pendant use.

Code	Description
900112	Single Suspension 1m (3 pieces needed)*
900114	Single Suspension 2m (3 pieces needed)*
900116	Single Suspension 3m (3 pieces needed)*

* For installation at the ceiling

SURFACE BASE MORFI / RIM



- Aluminium body.

Code	Description
82064	Surface Base Morfi/Rim L30mm (3 pieces needed)*
82065	Surface Base Morfi/Rim L50mm (3 pieces needed)*
82066	Surface Base Morfi/Rim L70mm (3 pieces needed)*

* For surface installation of Morfi / Rim

Colour Codes:

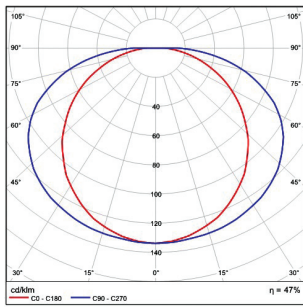
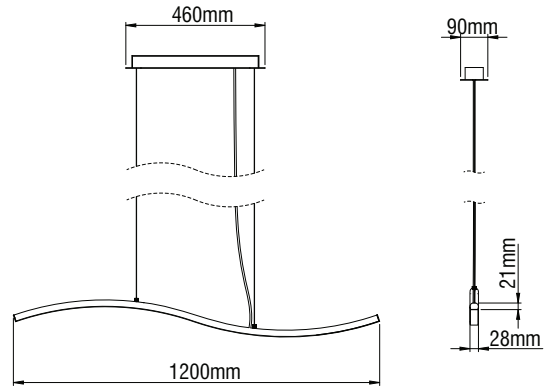
0 Colours 1 White 2 Titan 3 Black

DRIVERS

Code.	Description
800099	Driver 50W 24V DC
800098	Driver 100W 24V DC
800058	Driver 150W 24V DC
800088	Driver 320W 24V DC
800018	Driver 60W 24V DC Dimmer Dali / Push Button
800017	Driver 100W 24V DC Dimmer Dali / Push Button
800101	Driver 60W 24V DC Dimmer Phase cut
800102	Driver 100W 24V DC Dimmer Phase cut

RIM

RIM WAVE SMALL



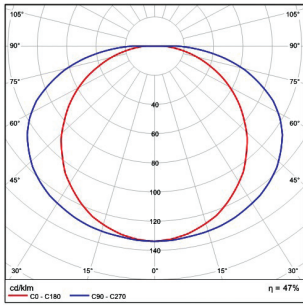
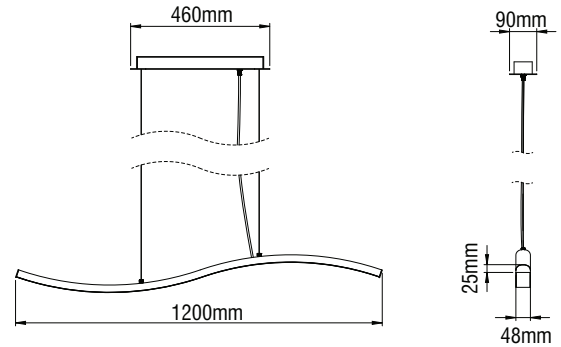
- Aluminium body, painted electrostatically in selected colour.
- High efficient polycarbonate satin cover.
- With transparent cable 2x0,75mm² 2,5m.
- Rosette, driver 24V DC and suspensions 2m included.
- CRI: min. 80 / SDCM: 3
- Luminous Efficacy:
140Lm/W at 4000 K
133Lm/W at 3000 K

Code	Description
8207300	Rim Small Linear Wave 18W 24V DC
8207400	Rim Small Linear Wave 18W 24V DC Dimmer (Dali/Push Button)
8207440	Rim Small Linear Wave 18W 24V DC Dimmer (Phase Cut)

LED COLOUR CODES:	Colour Codes:
2 Warm 3 Neutral	0 Colours 1 White 2 Titan 3 Black

RIM

RIM WAVE MEDIUM



- Aluminium body, painted electrostatically in selected colour.
- High efficient polycarbonate satin cover.
- With transparent cable 2x0,75mm² 2,5m.
- Rosette, driver 24V DC and suspensions 2m included.
- CRI: min. 80 / SDCM: 3
- Luminous Efficacy:
140Lm/W at 4000 K
133Lm/W at 3000 K

Code	Description
8207310	Rim Medium Linear Wave 18W 24V DC
8207320	Rim Medium Linear Wave2 36W 24V DC
8207410	Rim Medium Linear Wave 18W 24V DC Dimmer (Dali/Push Button)
8207420	Rim Medium Linear Wave2 36W 24V DC Dimmer (Dali/Push Button)
8207450	Rim Medium Linear Wave 18W 24V DC Dimmer (Phase Cut)
8207460	Rim Medium Linear Wave2 36W 24V DC Dimmer (Phase Cut)

LED COLOUR CODES:	Colour Codes:
2 Warm 3 Neutral	0 Colours 1 White 2 Titan 3 Black