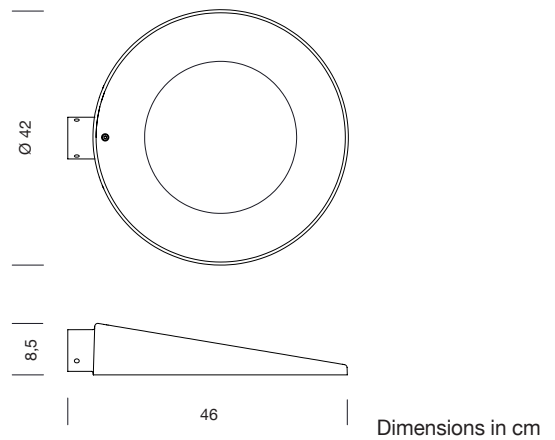


Slope Luminaire

Industrial Facility, 2017

Urbidermis



CE RoHS    

Materials

Aluminum injection luminaire EN AC-47100 with paint finish. ABS injection interior reflector. Tempered optical glass diffuser.

Installation

Slope luminaires feature a variety of fixing accessories for different columns or surfaces. The luminaire is supplied in two components: the luminaire and the accessory. Instructions and screws included.

For further information go to urbidermis.com

Standards

UNE-EN 60529, UNE-EN 60598, UNE-EN 55015, UNE-EN 61000, UNE-EN 50102, UNE-EN 62031, UL 1598, UL 8750, (file E-505192).

IP66 (protection from dust ingress and high-pressure water jets), Suitable for wet locations.

IK08 (protection against external mechanical impacts).

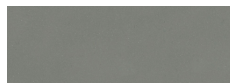
Electrical Class

Class I (CE)

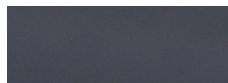
Finishes



Light grey



Medium grey



Dark grey

*The colours shown are merely indicative and may differ from reality. (Other colours on request)

**Request finishes C5 for marine environments

Weight kg [lb] (unpacked)

6 [13.23]

Surface exposed to wind (m²)

0.02

Technical information

High-efficiency optical unit with 18 and 36 LEDs

Nominal lamp power (W)

18 LEDs: 18 / 26 / 36

36 LEDs: 36 / 51 / 72

System power (W)

18 LEDs: 22 / 32 / 42

36 LEDs: 40 / 59 / 85

Operating current (mA)

350, 500, 700

Colour temperature (K)

3000 CRI min80, 4000 CRI min80

Power supply

Constant current driver.

Regulation

1-10V / DALI / Header flux regulation / Programmable automatic regulation / Wireless connection through node to street lighting management platforms.

The LED luminaire may be regulated using a number of differing interfaces. These controls allow specific, individual control of light, reducing energy consumption in a sustainable manner. Constant light output (clo) Assures a constant lumen output from the luminaire throughout its lifetime.

Power factor (cos Φ):

N° LEDs	Current (mA)	P (W) 100%, CLO 80%
18	350	0.87
	500	0.92
	700	0.98
36	350	0.95
	500	0.97
	700	0.98

Operating voltage

220-240V 50-60Hz (CE)

120-277V 60Hz (UL)

Recommended wire

0,6-1kV - 5 x 1,5mm² (AWG18) / 3 x 2,5mm² (AWG16)

Operating rated temperature (°C)

Ta 30.

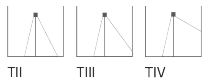
Lifetime

TM21 L70 (10k) > 50.000 h.

Thanks to an optimised thermal design, the luminous flux is maintained up to 70% after 50.000 h.

Light distributions

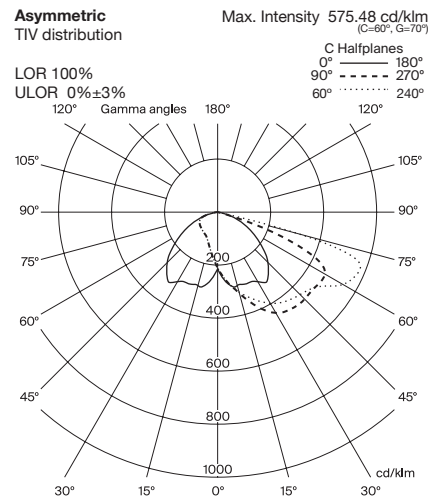
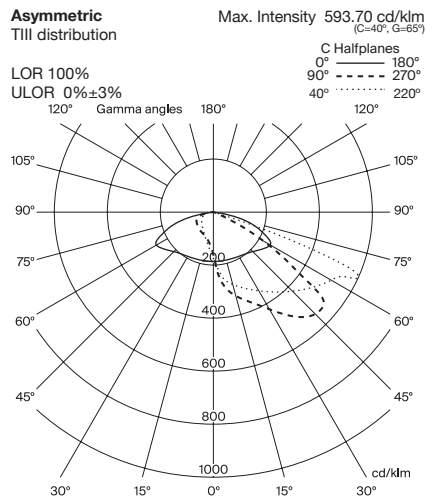
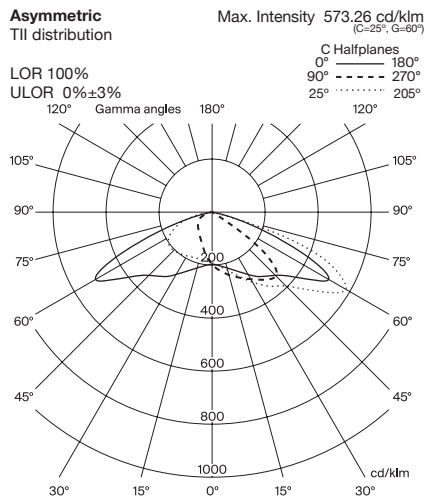
Asymmetric



Upper Light Output Ratio (ULOR%)

0.60-0.88

Reference	N°LEDs	Color T° (K)	Current (mA)	Lamp power (W)	System power (W)	IESNA TII		IESNA TIII		IESNA TIV	
						Luminaire luminous flux (lm)	Efficacy (lm/W)	Luminaire luminous flux (lm)	Efficacy (lm/W)	Luminaire luminous flux (lm)	Efficacy (lm/W)
SPL18A1xx	18	3000 CRI min80	18	22	350	2039	93	1949	90	2036	93
SPL18B1xx			26	32	500	2738	86	2617	88	2869	90
SPL18C1xx			36	42	700	3613	86	3453	86	3714	88
SPL18A2xx		4000 CRI tip70	18	22	350	2398	109	2292	107	2402	109
SPL18B2xx			26	32	500	3220	101	3077	103	3384	106
SPL18C2xx			36	42	700	4249	101	4061	102	4382	104
SPL36A1xx	36	3000 CRI min80	36	40	350	3954	99	3779	94	3855	96
SPL36B1xx			51	59	500	5352	91	5115	89	5346	91
SPL36C1xx			72	85	700	6922	81	6615	80	6922	81
SPL36A2xx		4000 CRI tip70	36	40	350	4650	116	4444	111	4548	114
SPL36B2xx			51	59	500	6294	107	6015	102	6307	107
SPL36C2xx			72	85	700	8140	96	7780	92	8167	96



Headquarters Parc de Belloch
Ctra. C-251, Km 5,6
E-08430 La Roca (Barcelona, Spain)
+34 938 619 100

Warehouse
Carrer del Fou, Polígono Industrial Sud
E-08440 Cardedeu (Barcelona, Spain)
+34 938 619 182

