

Tumbler Luminaire

Industrial Facility, 2017

Urbidermis



CE RoHS    

Materials

Injected aluminium EN AC-47100 luminaire, primed and painted. Injected aluminum internal heat sink. Tempered optical glass diffuser and silicone gaskets. Stainless steel safety screws.

Standards

UNE-EN 60529, UNE-EN 60598, UNE-EN 55015, UNE-EN 61000, UNE-EN 50102, UNE-EN 62031, UL 1598, UL 8750, (file E-505192).
IP66 (protection from dust ingress and high-pressure water jets), Suitable for wet locations.
IK08 (protection against external mechanical impacts).

Electrical Class

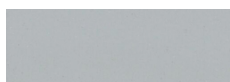
Class I (CE)

Installation

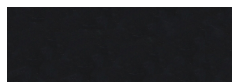
The Tumbler luminaire has a variety of accessories to adapt it to different poles, structures, surfaces or wiring. The luminaire is supplied in two components: the lighting body and the accessory. Instructions and screws included.

For further information go to urbidermis.com

Finishes



Light grey



Black

*The colours shown are merely indicative and may differ from reality. (Other colours on request)

**Request finishes for marine environments

Weight kg (unpacked)

6.2

Surface exposed to wind (m²)

0.06

Tumbler Luminaire

Industrial Facility, 2017

urbidermis

Technical information

High-efficiency optical unit with 16, 24 LEDs or COB.

Nominal lamp power (W)

16 LEDs: 18 / 26 / 37

24 LEDs: 26 / 36 / 53

COB: 18 / 26 / 37

System power (W)

16 LEDs: 20 / 28 / 39

24 LEDs: 28 / 40 / 56

COB: 20 / 28 / 39

Operating current (mA)

350, 500, 700

Colour temperature (K)

3000 CRI min80, 4000 CRI min80

Power supply

Constant current driver.

Regulation

1-10V / DALI / Header flux regulation / Programmable automatic regulation / Wireless connection through node to street lighting management platforms. The LED luminaire may be regulated using a number of differing interfaces. These controls allow specific, individual control of light, reducing energy consumption in a sustainable manner. Constant light output (clo) Assures a constant lumen output from the luminaire throughout its lifetime.

Power factor (cos Φ):

N° LEDs	Current (mA)	P (W) 100%, CLO 80%
16	350	0,89
	500	0,93
	700	
24	350	0,79
	500	0,86
	700	
COB	350	0,93
	500	0,96
	700	

Operating voltage

220-240V 50-60Hz (CE)

120-277V 60Hz (UL)

Recommended wire

0,6-1kV - 5 x 1,5mm² (AWG18) / 3 x 2,5mm² (AWG16)

Operating rated temperature (°C)

Ta 30.

Lifetime

TM21 L70 (10k) > 50.000 h.

Thanks to an optimised thermal design, the luminous flux is maintained up to 70% after 50.000 h.

Light distributions

Asymmetric



TII TIII TIV

Symmetric



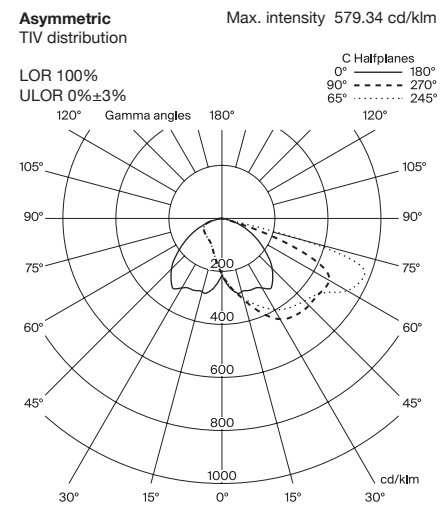
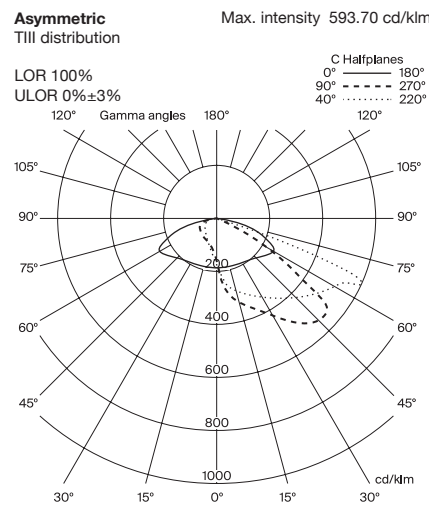
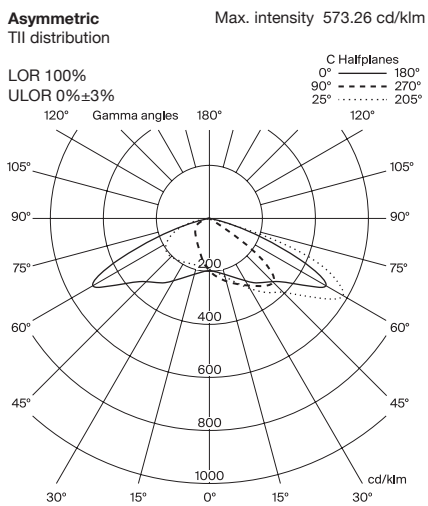
Wideflood Flood Medium Spot TV TII+II

*7.5° luminaire inclination

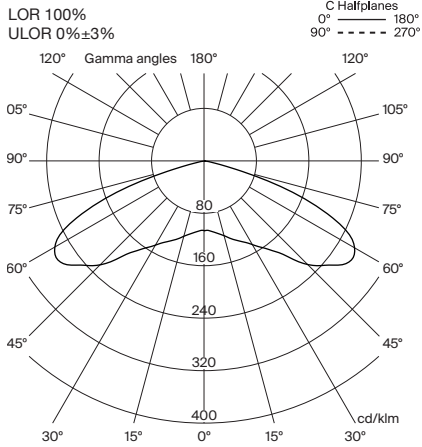
Upper Light Output Ratio (ULOR%)

0.60-0.88

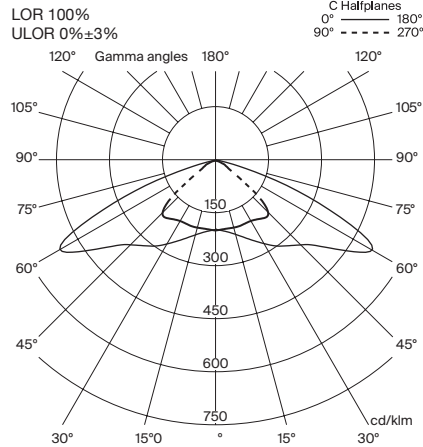
Reference	N°LEDs	Color T° (K)	Current (mA)	Lamp power (W)	System power (W)	IESNA TII		IESNA TIII		IESNA TIV		IESNA TV		IESNA TII+II		Symmetrical WF		Symmetrical F		Symmetrical M		Symmetrical S	
						Luminaire luminous flux (lm)	Efficacy (lm/W)	Flux lumineux du luminaire (lm)	Efficacité (lm/W)	Flux lumineux du luminaire (lm)	Efficacité (lm/W)	Flux lumineux du luminaire (lm)	Efficacité (lm/W)	Flux lumineux du luminaire (lm)	Efficacité (lm/W)	Flux lumineux du luminaire (lm)	Efficacité (lm/W)	Flux lumineux du luminaire (lm)	Efficacité (lm/W)	Flux lumineux du luminaire (lm)	Efficacité (lm/W)	Flux lumineux du luminaire (lm)	Efficacité (lm/W)
TML16A1xx	16	3000 CRI min80	350	18	20	1741	88	1631	83	1679	85	1753	89	1725	87	1797	91	1922	97	1862	94	1871	95
TML16B1xx			500	26	28	2374	86	2224	81	2289	83	2390	87	2352	85	2450	89	2621	95	2539	92	2551	93
TML16C1xx			700	37	39	3141	82	2943	76	3030	79	3163	82	3113	81	3242	84	3469	90	3361	87	3376	88
TML16A2xx		4000 CRI min80	350	18	20	2098	106	1966	100	2023	102	2112	107	2079	105	2165	110	2317	117	2244	114	2255	114
TML16B2xx			500	26	28	2863	104	2683	97	2762	100	2883	105	2838	103	2955	107	3162	115	3063	111	3078	112
TML16C2xx			700	37	39	3786	98	3547	92	3651	95	3812	99	3752	97	3907	101	4181	109	4050	105	4069	106
TML24A1xx	24	3000 CRI min80	350	26	28	2647	96	2480	90	2553	92	2666	96	2624	95	2732	99	2923	106	2832	102	2845	103
TML24B1xx			500	37	40	3630	92	3394	86	3501	89	3655	93	3606	91	3754	95	4013	102	3895	99	3880	99
TML24C1xx			700	53	56	4723	86	4425	81	4555	83	4756	87	4681	85	4875	89	5216	95	5053	92	5076	93
TML24A2xx		4000 CRI min80	350	26	28	3142	114	2944	106	3030	110	3164	114	3114	113	3243	117	3470	125	3361	122	3377	122
TML24B2xx			500	37	40	4299	109	4028	102	4146	105	4329	110	4261	108	4437	113	4747	121	4599	117	4620	117
TML24C2xx			700	53	56	5606	102	5252	96	5406	99	5645	103	5556	101	5786	106	6190	113	5997	109	6025	110
TMLCA1xx	COB	3000 CRI min80	350	18	20	-	-	-	-	-	-	-	-	-	-	1783	88	-	-	-	-	-	-
TMLCB1xx			500	26	28	-	-	-	-	-	-	-	-	-	-	-	2431	88	-	-	-	-	-
TMLCB1xx			700	37	39	-	-	-	-	-	-	-	-	-	-	-	3218	84	-	-	-	-	-
TMLCA2xx		4000 CRI min80	350	18	20	-	-	-	-	-	-	-	-	-	-	-	2149	106	-	-	-	-	-
TMLCB2xx			500	26	28	-	-	-	-	-	-	-	-	-	-	-	2933	107	-	-	-	-	-
TMLCB2xx			700	37	39	-	-	-	-	-	-	-	-	-	-	-	3878	101	-	-	-	-	-



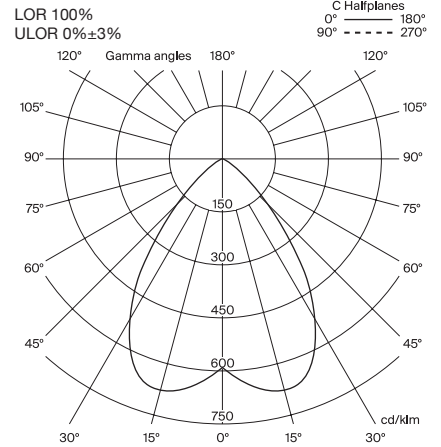
Symmetric Max. intensity 671.25 cd/klm
TV distribution



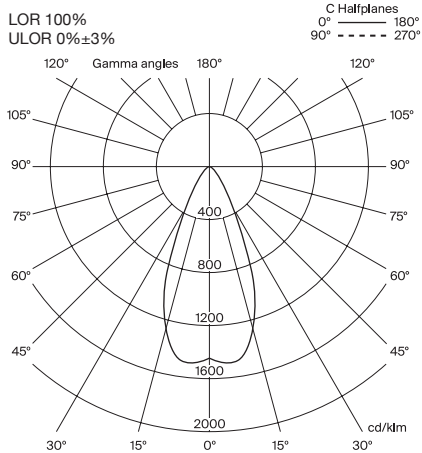
Symmetric Max. intensity 509.57 cd/klm
TII+II distribution



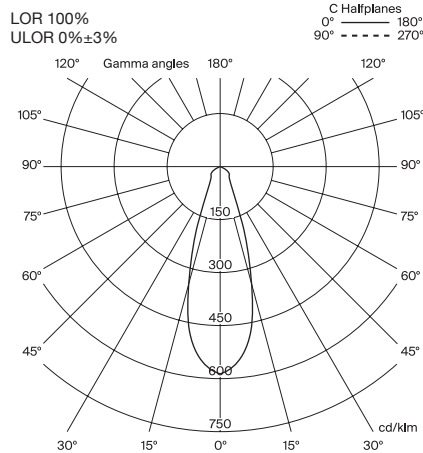
Symmetric Max. intensity 671.25 cd/klm
Wide Flood distribution



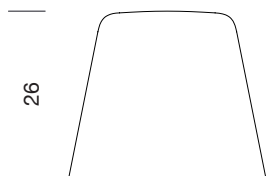
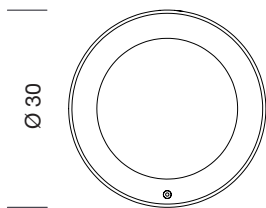
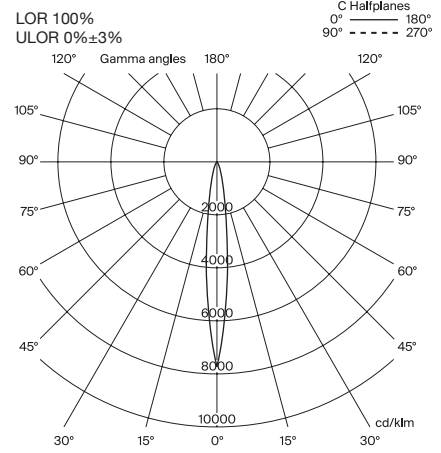
Symmetric Max. intensity 1466.62 cd/klm
Flood distribution



Symmetric Max. intensity 1951.75 cd/klm
Medium distribution



Symmetric Max. intensity 7697.66 cd/klm
Spot distribution



Headquarters Parc de Belloch
Ctra. C-251, Km 5,6
E-08430 La Roca (Barcelona, Spain)
+34 938 619 100

Warehouse
Carrer del Fou, Polígono Industrial Sud
E-08440 Cardedeu (Barcelona, Spain)
+34 938 619 182



Dimensions in cm