

Rama Luminaire

Gonzalo Milá. 2000

Urbidermis



CE RoHS    

Materials

Primed and powder coated Injected aluminium luminaire.
Tempered optical glass diffuser. Polymer sealing gasket. Stainless steel and black zinc-plated steel screws.

Installation



Cylindric individual



Flat individual



Retrofit



The Rama luminaire has a variety of accessories to adapt it to different poles, structures or surfaces.

The luminaire is supplied in two components: the lighting body and the accessory.

Instructions and screws included.

For further information go to urbidermis.com



Cylindric double



Flat double



Wall

Standards

UNE-EN 60529, UNE-EN 60598, UNE-EN 55015, UNE-EN 61000, UNE-EN 50102, UNE-EN 62031, UL 1598, UL 8750, (file E-505192).
IP66 (protection from dust ingress and high-pressure water jets), Suitable for wet locations, IK08 (protection against external mechanical impacts).

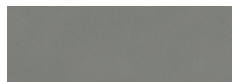
Electrical Class

Class I (CE)

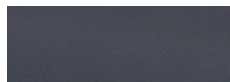
Finishes



Light grey



Medium grey



Dark grey

*The colours shown are merely indicative and may differ from reality. (Other colours on request)

**Request finishes for marine environments

Weight kg [lb] (unpacked)

7,8 [17.20]

Surface exposed to wind (m²)

0,04

Technical information

High-efficiency optical unit with 12, 24, 48, 72 LEDs

Nominal lamp power (W)

12 LEDs: 12 / 17 / 24

24 LEDs: 23 / 33 / 47

48 LEDs: 45 / 66 / 94

72 LEDs: 68 / 99 / 141

System power (W)

12 LEDs: 14 / 20 / 28

24 LEDs: 27 / 38 / 53

48 LEDs: 51 / 73 / 102

72 LEDs: 77 / 110 / 156

Operating current (mA)

350, 500, 700

Color temperature (K)

2700 CRI min80, 3000 CRI min80, 4000 CRI min80

Power supply

Constant current driver.

Regulation

1-10V / DALI / Header flux regulation / Programmable automatic regulation / Wireless connection through node to street lighting management platforms.

The LED luminaire may be regulated using a number of differing interfaces. These controls allow specific, individual control of light, reducing energy consumption in a sustainable manner. Constant light output (clo) Assures a constant lumen output from the luminaire throughout its lifetime.

Power factor (cos Φ):

LED n°	Current (mA)	P (W) 100%, CLO 80%	LED n°	Current (mA)	P (W) 100%, CLO 80%
12	350	0.95	48	350	0.97
	500	0.96		500	0.99
	700	0.96		700	0.99
24	350	0.97	72	350	0.98
	500	0.98		500	0.99
	700	0.99		700	1.00

Operating voltage

220-240V 50-60Hz (CE)

120-277V 60Hz (UL)

Recommended wire

0,6-1kV - 5 x 1,5mm² (AWG18) / 3 x 2,5mm² (AWG16)

Operating rated temperature (°C)

Ta 30.

Lifetime

TM21 L70 (10k) > 50.000 h.

Thanks to an optimised thermal design, the luminous flux is maintained up to 70% after 50.000 h.

Light distributions

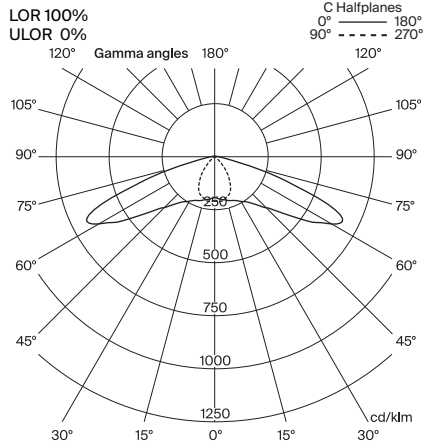
Asymmetric



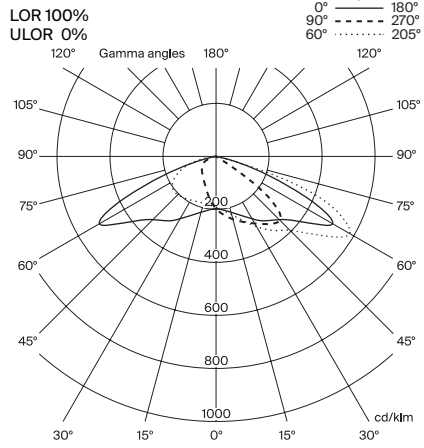
Upper Light Output Ratio (ULOR%)

0±3%.

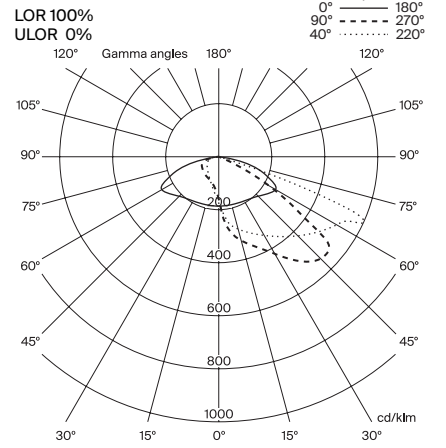
Asymmetric Max. Intensity 746.30 cd/klm
TI distribution (C=0°, G=63°)



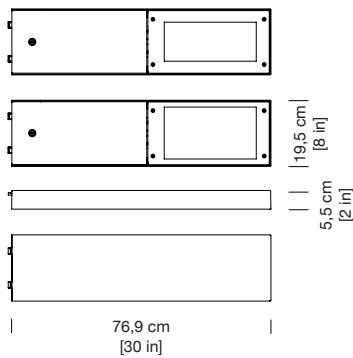
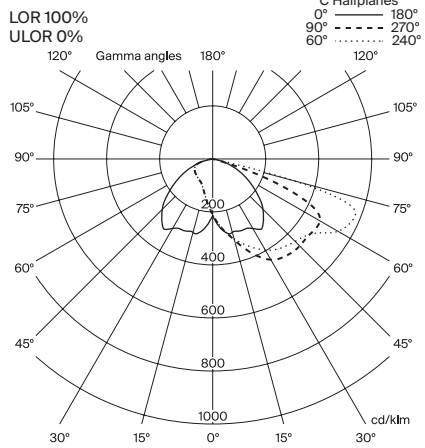
Asymmetric Max. Intensity 573.26 cd/klm
TII distribution (C=25°, G=60°)



Asymmetric Max. Intensity 593.70 cd/klm
TIII distribution (C=40°, G=65°)



Asymmetric Max. Intensity 575.48 cd/klm
TIV distribution (C=60°, G=70°)



Reference	LEDs n°	T.colour (K)	Current (mA)	System power (W)	Power lamp (W)	IESNA **TI		IESNA **TII		IESNA **TIII		IESNA **TIV	
						Luminous flux (lm)	Efficacy (lm/W)	Luminous flux (lm)	Efficacy (lm/W)	Luminous flux (lm)	Efficacy (lm/W)	Luminous flux (lm)	Efficacy (lm/W)
RAL12A3**	12	2700 CRI min80	350	14	12	1334	93	1463	102	1378	96	1433	100
RAL12B3**			500	20	17	1835	91	2014	100	1897	94	1973	98
RAL12C3**			700	28	24	2427	86	2663	95	2508	89	2609	93
RAL12A1**		3000 CRI min80	350	14	12	1334	93	1463	102	1378	96	1433	100
RAL12B1**			500	20	17	1835	91	2014	100	1897	94	1973	98
RAL12C1**			700	28	24	2427	86	2663	95	2508	89	2609	93
RAL12A2**		4000 CRI min80	350	14	12	1534	109	1683	119	1585	112	1649	117
RAL12B2**			500	20	17	2111	106	2316	117	2181	110	2269	114
RAL12C2**			700	28	24	2792	101	3063	111	2885	104	3001	108
RAL24A3**	24	2700 CRI min80	350	27	23	2640	98	2897	108	2728	101	2838	105
RAL24B3**			500	38	34	3612	95	3963	104	3732	98	3882	102
RAL24C3**			700	53	47	4742	89	5203	97	4900	92	5097	95
RAL24A1**		3000 CRI min80	350	27	23	2640	98	2897	108	2728	101	2838	105
RAL24B1**			500	38	34	3612	95	3963	104	3732	98	3882	102
RAL24C1**			700	53	47	4742	89	5203	97	4900	92	5097	95
RAL24A2**		4000 CRI min80	350	27	23	3037	113	3332	124	3138	117	3264	121
RAL24B2**			500	38	34	4154	109	4559	119	4293	112	4465	117
RAL24C2**			700	53	47	5454	102	5984	112	5636	105	5862	109
RAL48A3**	48	2700 CRI min80	350	51	47	5366	105	5888	115	5545	108	5768	112
RAL48B3**			500	73	67	7299	100	8009	109	7542	103	7845	107
RAL48C3**			700	102	94	9511	92	10437	101	9828	95	10223	99
RAL48A1**		3000 CRI min80	350	51	47	5366	105	5888	115	5545	108	5768	112
RAL48B1**			500	73	67	7299	100	8009	109	7542	103	7845	107
RAL48C1**			700	102	94	9511	92	10437	101	9828	95	10223	99
RAL48A2**		4000 CRI min80	350	51	47	6172	120	6772	132	6378	124	6634	129
RAL48B2**			500	73	67	8395	115	9212	126	8675	118	9023	123
RAL48C2**			700	102	94	10939	106	12004	116	11304	109	11758	114
RAL72A3**	72	2700 CRI min80	350	77	71	7971	103	8746	113	8236	106	8567	110
RAL72B3**			500	110	101	10779	98	11827	107	11138	101	11586	105
RAL72C3**			700	156	141	13941	89	15298	98	14406	92	14985	96
RAL72A1**		3000 CRI min80	350	77	71	7971	103	8746	113	8236	106	8567	110
RAL72B1**			500	110	101	10779	98	11827	107	11138	101	11586	105
RAL72C1**			700	156	141	13941	89	15298	98	14406	92	14985	96
RAL72A2**		4000 CRI min80	350	77	71	9167	118	10059	130	9473	122	9854	127
RAL72B2**			500	110	101	12397	112	13603	123	12811	116	13325	121
RAL72C2**			700	156	141	16035	102	17595	112	16570	106	17235	110

Reference	LEDs n°	T.colour (K)	Current (mA)	System power (W)	Power lamp (W)	IESNA **TI Opal		IESNA **TII Opal		IESNA **TIII Opal		IESNA **TIV Opal	
						Luminous flux (lm)	Efficacy (lm/W)	Luminous flux (lm)	Efficacy (lm/W)	Luminous flux (lm)	Efficacy (lm/W)	Luminous flux (lm)	Efficacy (lm/W)
RAL12A3**	12	2700 CRI min80	350	89	12	1164	81	1296	90	1226	86	1275	89
RAL12B3**			500	87	17	1602	79	1783	88	1687	83	1755	87
RAL12C3**			700	82	24	2119	75	2358	84	2231	79	2321	82
RAL12A1**		3000 CRI min80	350	89	12	1164	81	1296	90	1226	86	1275	89
RAL12B1**			500	87	17	1602	79	1783	88	1687	83	1755	87
RAL12C1**			700	82	24	2119	75	2358	84	2231	79	2321	82
RAL12A2**		4000 CRI min80	350	104	12	1339	95	1490	106	1410	100	1467	104
RAL12B2**			500	102	17	1843	93	2051	103	1940	98	2018	102
RAL12C2**			700	96	24	2437	88	2713	98	2566	93	2669	96
RAL24A3**	24	2700 CRI min80	350	94	23	2305	86	2565	95	2427	90	2524	94
RAL24B3**			500	90	34	3153	83	3510	92	3320	87	3454	90
RAL24C3**			700	85	47	4139	77	4608	86	4359	81	4534	85
RAL24A1**		3000 CRI min80	350	94	24	2305	86	2565	95	2427	90	2524	94
RAL24B1**			500	90	34	3153	83	3510	92	3320	87	3454	90
RAL24C1**			700	85	47	4139	77	4608	86	4359	81	4534	85
RAL24A2**		4000 CRI min80	350	108	24	2651	98	2951	110	2791	104	2903	108
RAL24B2**			500	104	34	3626	95	4037	106	3819	100	3972	104
RAL24C2**			700	97	47	4761	89	5299	99	5013	94	5215	97
RAL48A3**	48	2700 CRI min80	350	100	47	4684	91	5214	102	4933	96	5131	100
RAL48B3**			500	95	67	6371	87	7092	97	6709	92	6979	95
RAL48C3**			700	88	94	8302	80	9242	89	8743	85	9094	88
RAL48A1**		3000 CRI min80	350	100	47	4684	91	5214	102	4933	96	5131	100
RAL48B1**			500	95	67	6371	87	7092	97	6709	92	6979	95
RAL48C1**			700	88	94	8302	80	9242	89	8743	85	9094	88
RAL48A2**		4000 CRI min80	350	115	47	5387	105	5997	117	5673	111	5901	115
RAL48B2**			500	110	67	7328	100	8157	111	7717	105	8027	110
RAL48C2**			700	101	94	9549	92	10630	103	10055	97	10460	101
RAL72A3**	72	2700 CRI min80	350	98	71	6958	90	7745	100	7327	94	7621	98
RAL72B3**			500	93	101	9409	85	10474	95	9908	90	10306	93
RAL72C3**			700	85	141	12170	78	13547	86	12815	82	13330	85
RAL72A1**		3000 CRI min80	350	98	71	6958	90	7745	100	7327	94	7621	98
RAL72B1**			500	93	101	9409	85	10474	95	9908	90	10306	93
RAL72C1**			700	85	141	12170	78	13547	86	12815	82	13330	85
RAL72A2**		4000 CRI min80	350	113	71	8002	103	8908	115	8427	109	8766	113
RAL72B2**			500	107	101	10822	98	12046	109	11396	103	11854	107
RAL72C2**			700	98	141	13997	89	15581	99	14739	94	15332	98

Headquarters Parc de Belloch
Ctra. C-251, Km 5,6
E-08430 La Roca (Barcelona, Spain)
+34 938 619 100

Warehouse
Carrer del Fou. Polígono Industrial Sud
E-08440 Cardedeu (Barcelona, Spain)
+34 938 619 182

