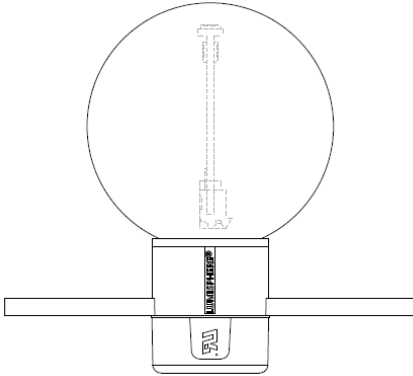


Lumisphere® X12 Large Harness RGBW



Features

24-30v DC

IP68 rated

BS EN 60958 CE UL Listed

Average life 50,000hrs

LED Details

The Lumisphere® RGBW Unit is a plug in LED module which uses 3 RGBW SMD LEDS. The RGBW LED light unit consuming 1.0watts is designed to fit our existing x12 large harness system which can connect to a DMX512 controller and control four channels of RGBW LED lamps.

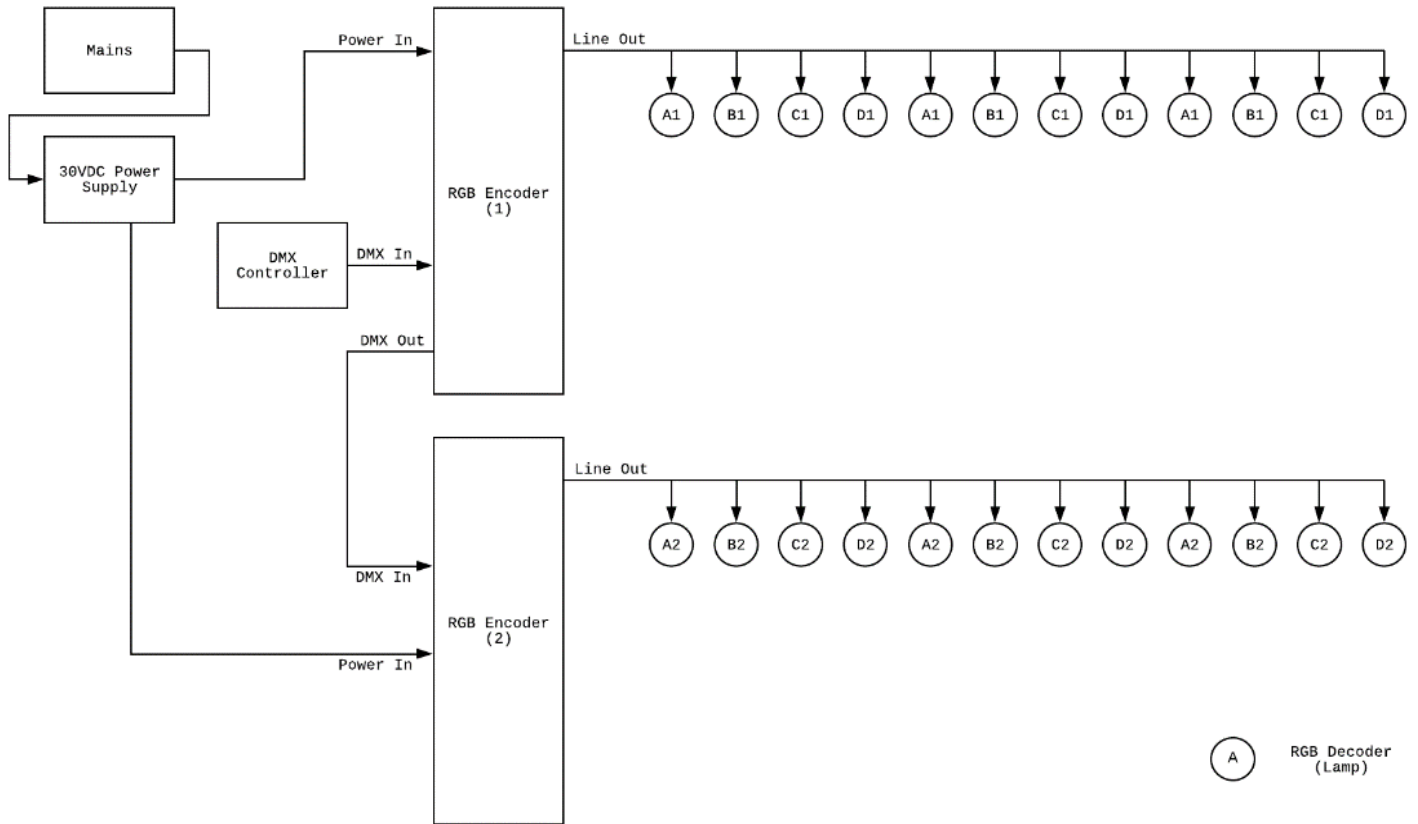
Technical Data:

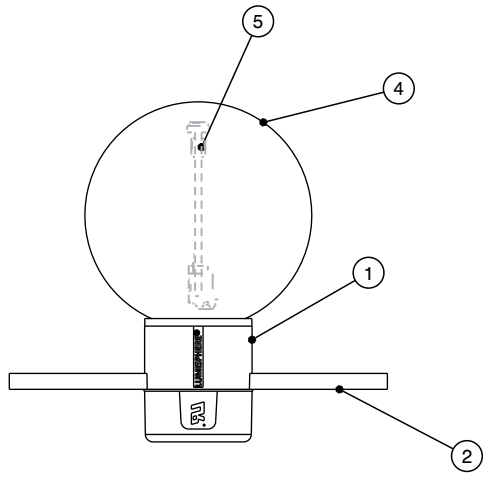
- 30v Supply to RGB/W Encoder, 24v output from Encoder.
- Data over voltage technology.
- Colour: RGBW
- Dimmable
- Control 4 channels of RGBW.
- DMX Controllable.
- CRI – 80.
- 80 Lumens output with clear globe

Large Harness System Details

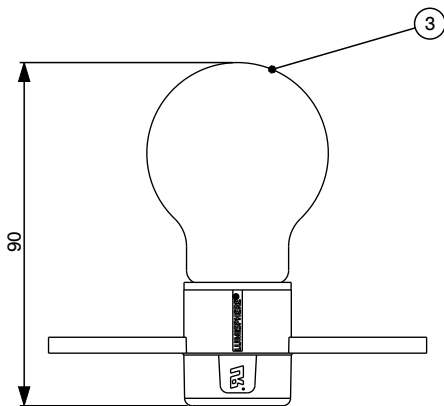
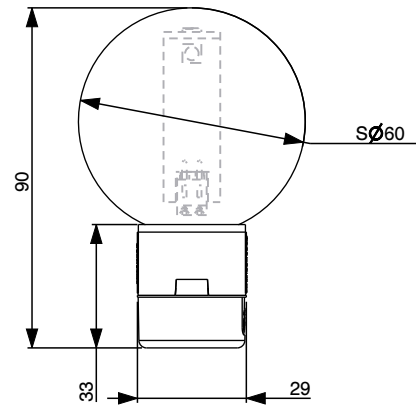
LAMP HOLDERS	Material Flammability	Nylon 66 Self extinguished grade UV stabilised Flammability rating to ASTN D 635 U.L. V2 UL Listing E170572 UL2108 compliant
GLOBE	Material Flammability Tensile Strength Impact Resistance	Polycarbonate UV stabilised Flame retardant grade U.L. V2 700KKG/CM2 80Kg CM/CM
LAMPS/LED's	X12	Xenon light capsules & LED's (various)
CABLE	Material Flammability	Twin conductor stranded tinned copper 60/0.25 3.00mm2 Sheath – heat, oil and flame-retardant rubber UV stabilised Conforms to BS4066 Part 1. EIC 332-1 UL. Listed No. E168888 (M) UL Listing E168888

RGB FESTOON SYSTEM





G Type Globe Option



A Type Globe Option

Item No	Description	Part No:	
1	X12 Lampholder Black	LHCX12 - B	
	X12 Lampholder White	LHCX12 - W	
2	Large harness cable Black	LHCCAB	
	Large harness cable White	LHCCAW	
3	Globes "A" Type Clear	LHCglCA	
	Globes "A" Type Frosted	LHCglFA	
	Globes "A" Type Red	LHCglRA	
	Globes "A" Type Amber	LHCglAA	
	Globes "A" Type Purple	LHCglPA	
	Globes "A" Type Green	LHCglGA	
	Globes "A" Type Blue	LHCglBA	
	4	Globes "G" Type Clear	LHCglCG
		Globes "G" Type Frosted	LHCglFG
		Globes "G" Type White	LHCglWG
Globes "G" Type Red		LHCglRG	
	Globes "G" Type Amber	LHCglAG	
	Globes "G" Type Purple	LHCglPG	
	Globes "G" Type Green	LHCglGG	
	Globes "G" Type Pink	LHCglPG	
5	Globes "G" Type Blue	LHCglBG	
	RGBW Module	LHCRGBW-01	

Maximum number of light units is 100 with 2 metres to first light and a maximum of 1000mm centres between light units.

Light unit weight - 33g

Cable weight per metre - 100g

THIS DRAWING AND DESIGN IS THE PROPERTY OF LUMISPHERE PRODUCTS LTD AND MUST NOT BE COPIED, LOANED, NOR ANY INFORMATION CONTAINED HEREIN TRANSFERRED TO A PART WITHOUT CONSENT OF LUMISPHERE PRODUCTS LTD.

REVISIONS

REV	DRAWN	CHECKED	DATE
-----	-------	---------	------

	DOC TYPE	3RD ANGLE PROJ. DIMENSIONS ARE IN MILLIMETRES.	SHT No					
	ASSY		1					
www.Lumisphere.co.uk	DRAWN	TITLE	SCALE					
	BD		1:2					
REGISTERED OFFICE: HALLGARTH ACCOUNTANTS LTD, 2 HALLGARTH, PICKERING, YO187A, REGISTERED NUMBER 2335636	CHECKED		X12 SYSTEM ACTIVE RGBW	SIZE				
	AD			A4				
SALES TEL: 01245 329999 HEAD OFFICE TEL: 01751 411942	APPROVED	PART NUMBER	CAD REV No					
	AD		1					