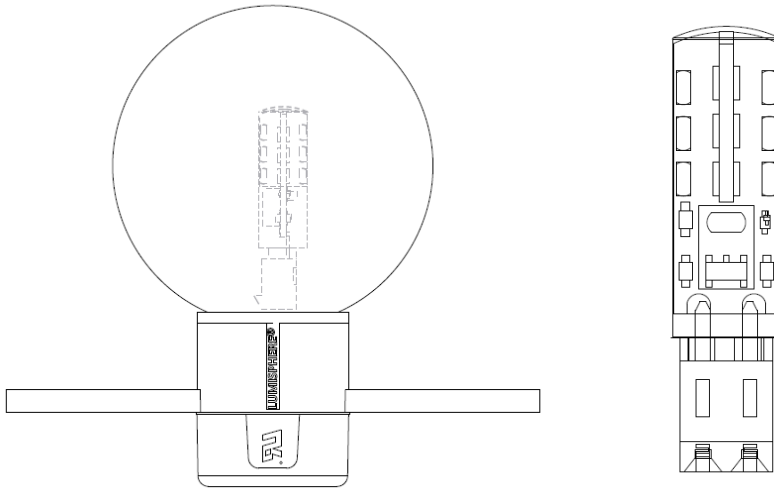


Lumisphere® X12 Large Harness Orbical 360/24



Features

12v AC/DC SELV

IP68 rated

BS EN 60958 CE UL Listed

Average life 50,000hrs

LED Details.

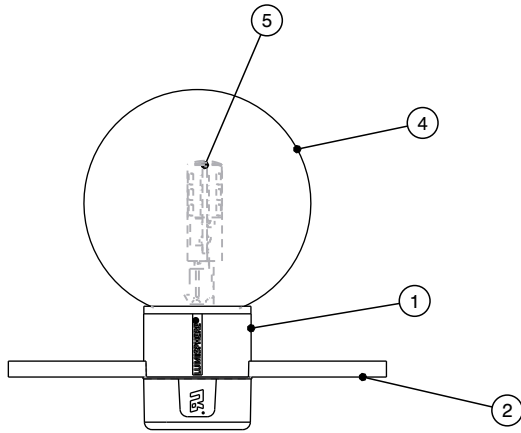
The Lumisphere® Orbical 360_24 is a plug in LED module which uses 24 SMD LEDs to create a bright and vibrant light with a similar light appearance to that of a traditional bulb. The 24 module LED light unit consuming 1.2watts is designed as simple retro fit LED for any Lumisphere® existing X12, Large harness system.

Technical Data:

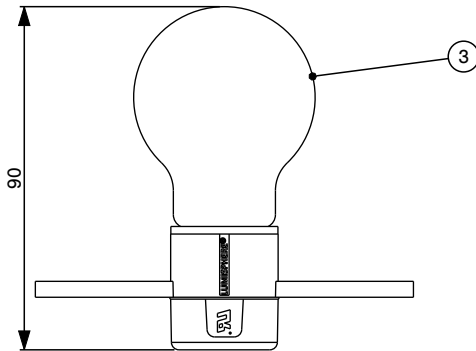
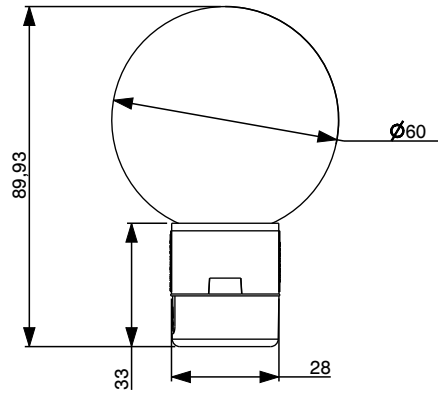
- 12v AC/DC 24 module
- Dimmable only on DC
- Colours: - Warm White, Cool White, Red, Blue, Amber, Green and Purple.
- Cool White: - 5500 – 6800k
- Warm White: - 2700k – 3000k
- CRI - 80
- Flux/M Lm - 90

Large Harness System Details

LAMP HOLDERS	Material Flammability	Nylon 66 Self extinguished grade UV stabilised Flammability rating to ASTN D 635 U.L. V2 UL Listing E170572 UL2108 compliant
GLOBE	Material Flammability Tensile Strength Impact Resistance	Polycarbonate UV stabilised Flame retardant grade U.L. V2 700KKG/CM2 80Kg CM/CM
LAMPS/LED's	X12	Xenon light capsules & LED's (various)
CABLE	Material Flammability	Twin conductor stranded tinned copper 60/0.25 3.00mm2 Sheath – heat, oil and flame-retardant rubber UV stabilised Conforms to BS4066 Part 1. EIC 332-1 UL. Listed No. E168888 (M) UL Listing E168888



G Type Globe Option



A Type Globe Option

Maximum number of lamps with 2 metres to first light

Spacing	Maximum No of Orbical 24 LED's
1000mm	90
500mm	120
330mm	150
250mm	165

Light unit weight - 33g

Cable weight per metre - 100g

Item No	Description	Part No:
1	X12 Lampholder Black	LHCX12 - B
	X12 Lampholder White	LHCX12 - W
2	Large harness cable Black	LHCCAB
	Large harness cable White	LHCCAW
3	Globes "A" Type Clear	LHCglCA
	Globes "A" Type Frosted	LHCglFA
	Globes "A" Type Red	LHCglRA
	Globes "A" Type Amber	LHCglAA
	Globes "A" Type Purple	LHCglPA
	Globes "A" Type Green	LHCglGA
	Globes "A" Type Blue	LHCglBA
4	Globes "G" Type Clear	LHCglCG
	Globes "G" Type Frosted	LHCglFG
	Globes "G" Type White	LHCglWG
	Globes "G" Type Red	LHCglRG
	Globes "G" Type Amber	LHCglAG
	Globes "G" Type Purple	LHCglPG
	Globes "G" Type Green	LHCglGG
	Globes "G" Type Pink	LHCglPG
	Globes "G" Type Blue	LHCglBG
5	Orbical 360/24 module only Warm White	LHC36024WW
	Orbical 360/24 module only Cool White	LHC36024CW
	Orbical 360/24 module only Red	LHC36024R
	Orbical 360/24 module only Green	LHC36024G
	Orbical 360/24 module only Blue	LHC36024B
	Orbical 360/24 module only Amber	LHC36024A
	Orbical 360/24 module only Purple	LHC36024P

THIS DRAWING AND DESIGN IS THE PROPERTY OF LUMISPHERE PRODUCTS LTD AND MUST NOT BE COPIED, LOANED, NOR ANY INFORMATION CONTAINED HEREIN TRANSFERRED TO A PART WITHOUT CONSENT OF LUMISPHERE PRODUCTS LTD.

REVISIONS

REV	DRAWN	CHECKED	DATE

	DOC TYPE	3RD ANGLE PROJ. DIMENSIONS ARE IN MILLIMETRES.	SHT No	1
	DRAWN	TITLE	SCALE	1:2
REGISTERED OFFICE: HALLGARTH ACCOUNTANTS LTD, 2 HALLGARTH, PICKERING, YO187A, REGISTERED NUMBER 2335636	CHECKED	X12 SYSTEM Orbical 24	SIZE	A4
	AD		CAD REV No	1
SALES TEL: 01245 329999 HEAD OFFICE TEL: 01751 411942	APPROVED	PART NUMBER		
	AD			