



Zesto bollard



Pixel bollard



Trek bollard



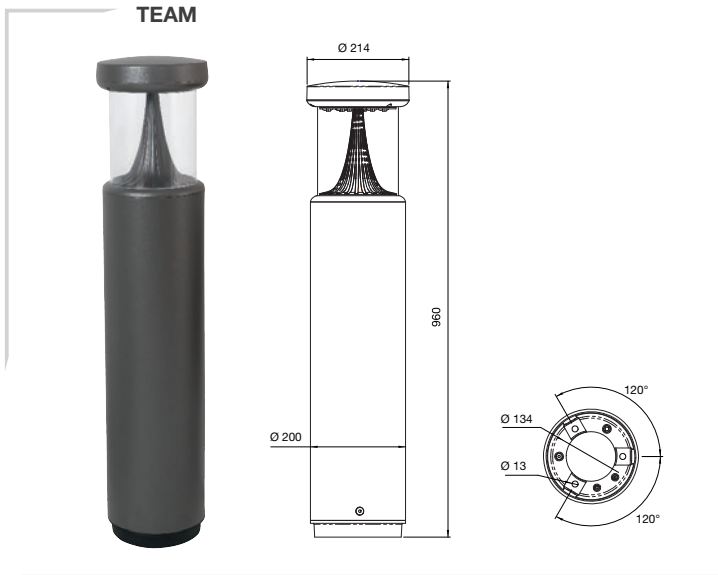
Cadix bollard



Flore bollard



Urbino bollard



DESCRIPTION

- Aluminium profile 200 mm tube
- Die-cast aluminium cap, polycarbonate bowl
- Polyester powder coating finish, choice of colours
- IP66 Module / IK10 - 60 joules / Class I or II
- Weight: 14,2 kg
- **ORALENS** mono lenses, ECL and EAH distribution
- Specific LED source
- Colour temperatures: 4000K and 3000K

CITIZEN REFERENCE POINTS

- Materials used: Aluminium 60%, Steel 28%, Plastic 7%, Other 5%
- Complies with the RoHS directive
- High recyclability rate

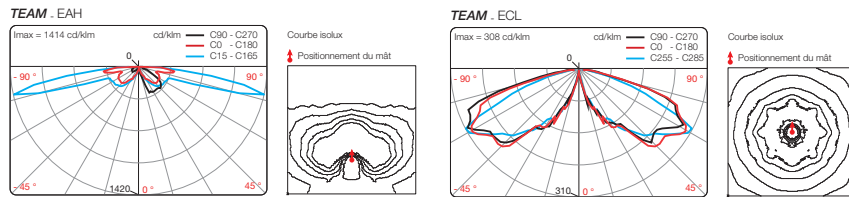
INSTALLATION

- Cast iron base
- Internal fixing using 3 anchor rods, Ø 12 mm on Ø 134 mm

MAINTENANCE

- Access to the LED module and equipment by removal of the profiled tube

PHOTOMETRIC DISTRIBUTIONS



DESCRIPTION

- Lit bollard
- Tube in aluminium profile, Ø 200mm
- Die cast aluminium cap
- Polyester powder coating, any colour available
- Silicone gasket
- IK07
- Class I or II
- Aluminium cooling system
- Control gear integrated on a removable tray
- **KIDLED** modules with **ORALENS** mono lense
- IP66 module
- Colour temperature: 4000 K
- Total power consumption: 13 W

INSTALLATION

- Cast iron bottom
- Internal fixation with 3 anchor bolts, Ø 12 mm sur Ø 134 mm

TEAM

DALI (construction)	○
Dimming 5 (preset)	○
FC	Compatible with standard version, Dimming 5 or DALI option
Motion P (set in the bottom of the pole)	
POLEDRIVE (set in the bottom of the pole)	○

Glossary:

● Standard ○ Option - Not available

EAH: Dedicated LED module for accessibility of disabled persons (PMF), **POLEDRIVE:** preset at the bottom of the pole / night dimming calculator with 2 configurable thresholds, set in the bottom of the pole, **Dimming 5:** night dimming calculator with 5 configurable thresholds, **DALI:** compatible with the DALI protocol, **FC:** Compensated flux