

LUMINAIRES

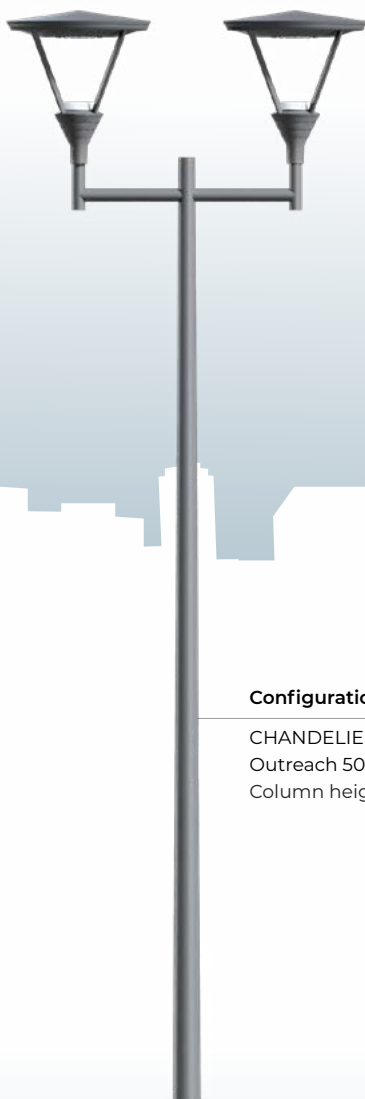
ELYXE

Design: Luc DAVY



**Configuration**

STRIUM Helix column
ø 76 mm
Column height: 4 m

**Configuration**

CHANDELIER bracket
Outreach 500 mm
Column height: 4,5 m

**Configuration**

INDIGO wall-mounted
Outreach 500 mm

ELYXE

Design: Luc DAVY



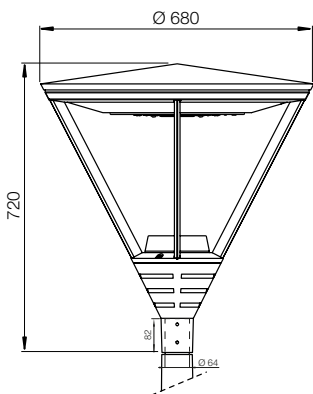
ELYXE
Presented with ORALED module

DESCRIPTION

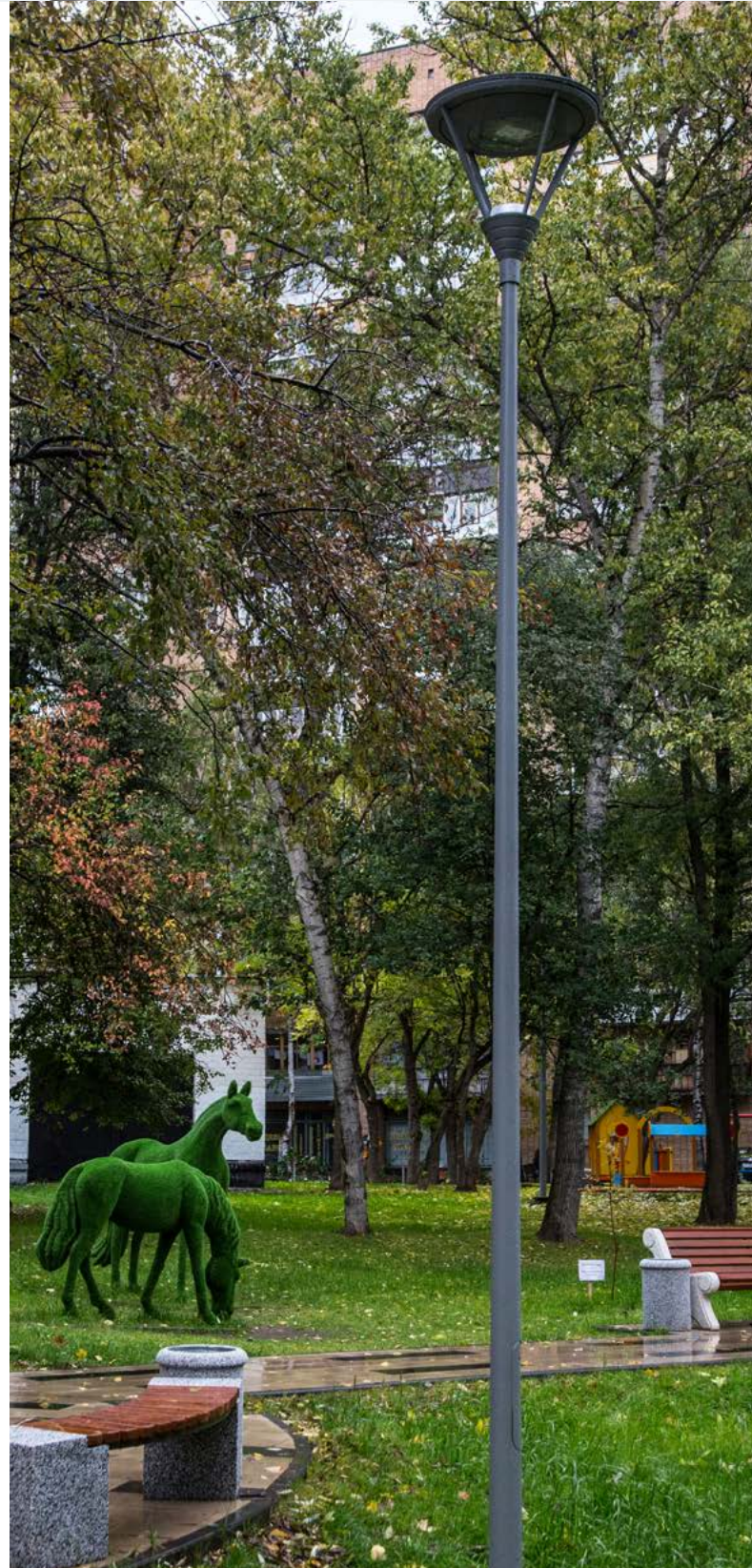
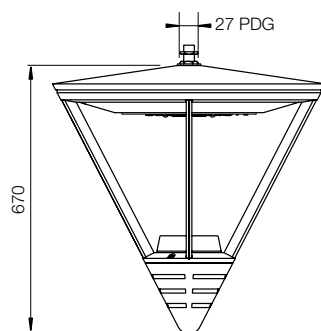
Product name	ELYXE
Housing	Injection die-cast aluminium body Extruded aluminium arms Control gear in the upper luminaire body
Bowl	ORALED: mono lens in PMMA / SEOLED: glass
Finish	Polyester powder coating, any colour available
Impact protection	IK 08
Ingress Protection	IP66 Extruded pneumatic silicone gasket Cable gland with anchoring device Breathing system with activated carbon filter
Dimensions (dia x h)	ELYXE top mounted: 680 x 720 mm ELYXE suspended: 680 x 670 mm
Weight	15.8kg
Windage area	0.08m ²
Materials used	Aluminium 89% Steel 4% Plastic 2% Other 5%
Electrical class	Class I or II
Wiring	Luminaire pre-wired in the factory (6m)

DIMENSIONS

Top mounted



Suspended





ELYXE
Presented with SEOLED module

SOURCES & PHOTOMETRIC DISTRIBUTIONS

ELYXE

Sources	ORALED	SEOLED
Colour temperature	3000 K or 4000 K	Amber*, 2200 K, 2400 K, 2700 K, 3000 K or 4000 K
Module color	Grey 2150 or 2900	
Optical Distribution	ORALENS: ERS, ERL, LRM, ECL	QUADRALENS: ERS, ERL, ERE, LRS, LRL, PFA, EPD, EPG, ETS, ECa
Backlight shield option	Medium or strong cut-off	
Power supply current	Adjustable up to 700 mA ⁽¹⁾	

*Approx. 1800K, only on BLS12 as standard. ⁽¹⁾ I > 700mA possible on request.
E/L/P: Lighting/Luminance/Projection, R/C/T/F/P: Road/Circular/Pavement/Beam/Zebra crossing,
E/S/L/A/D/G: Narrow/Standard/Wide/Asymmetrical/Right/Left



ORALED module



SEOLED module

OPTIONS

ELYXE

At the lighting point

Adjustable current (driver or bottom of the pole)	✓
Dimming (driver, bottom of the pole or Bluetooth)	✓
Built-in detection	✓
Remote detection	✓
DALI protocol	✓
Smart-Ready® configuration (ZD4i)	✓

In a local network

Communicating detection with pilot wire	✓
Wireless communication sensing	✓

Remote management

WIZARD CMS system	✓
-------------------	---

Details of the functions available on pages 272 to 279 and in the LED synopsis located on under the flap on the front cover

MECHANICAL INTERFACES



Post top fastening on standard pole Ø 60/62 mm



Post top fastening on specific pole Ø 76 mm with spigot Ø 60 mm, L 85 mm
For pole Ø 76 mm top, optional spigot C (cf p 280)



Top mounted: Indigo wall bracket with integrated connection box



Suspended: Indigo wall bracket with integrated connection box

MAINTENANCE

Opening and closing

Open luminaire by removing concealed screw {1}
The upper body is held in position by a safety stay {2}

LED module maintenance

Direct access to the module
Removable module interchangeable on site

