

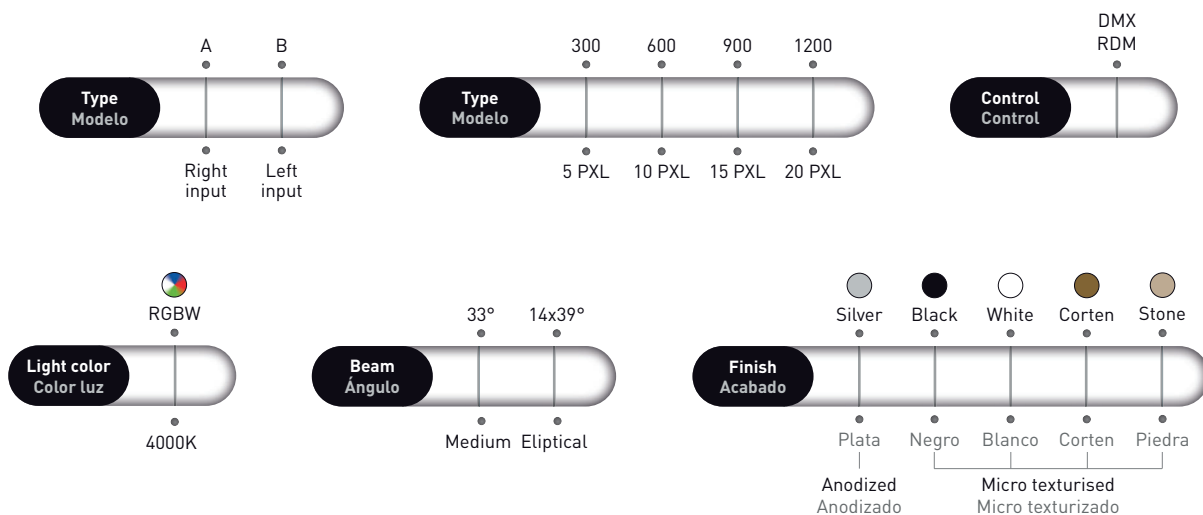


LINE GRAZER® PLUS PIXEL



LINE GRAZER® PLUS PIXEL

- Lineal fixture controllable pixel by pixel for media applications
- Custom-made fixture to control each 1, 2, 4, 5 or 10 pixels
- Powerful wall washer up to 10m
- Lumens output up to 5000lm
- Antiglare luminaire
- Flush wall washer
- 2 beam angles: 33° and 14x39°
- Perfect color mixing
- Easy serial connection
- Luminaria lineal controlable píxel a píxel para aplicaciones interactivas
- Luminaria personalizable cada 1, 2, 4, 5 o 10 píxeles
- Bañador de paredes potente hasta 10m
- Lumens output hasta 5000lm
- Luminaria antideslumbrante
- Bañado de luz a ras de la luminaria
- 2 ángulos de apertura: 33° y 14x39°
- Mezcla de colores perfecta
- Fácil conexión en serie



The standard version is delivered with DMX RDM, controllable pixel by pixel, with floor-wall bracket and 14x39° beam angle.
 La versión estándar se suministra con DMX RDM, controlable píxel a píxel, con soporte suelo-pared y un ángulo de apertura de 14x39°.

SPECIFICATIONS CARACTERÍSTICAS



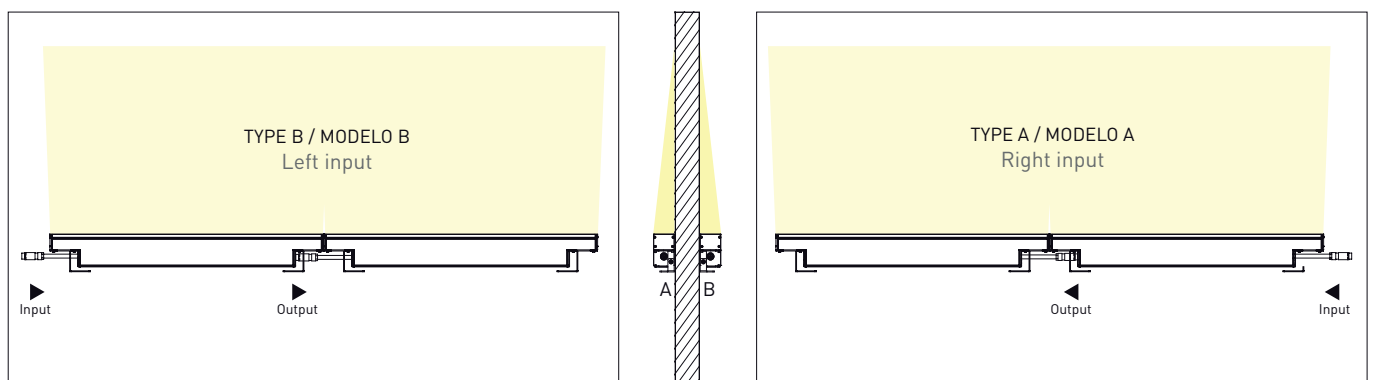
| Line Grazer® PLUS PIXEL 1200 | | | | | | |
|------------------------------|---------------------------|--------|---------|--------|---------|---------|
| Power | 96 W (20 PIXELS) | | | | | |
| Color temperature | RGBW | | | | | |
| | | Red | Green | Blue | 4000K | R+G+B+W |
| Lumens output | 33° - | 920 lm | 1522 lm | 698 lm | 1644 lm | 4780 lm |
| | 14x39° - | 966 lm | 1598 lm | 732 lm | 1726 lm | 5020 lm |
| Luminaire efficiency | 53 lm/W | | | | | |
| Measures / Weight | 1221 x 127 x 72 mm / 8 kg | | | | | |

| Line Grazer® PLUS PIXEL 900 | | | | | | |
|-----------------------------|----------------------------|--------|---------|--------|---------|---------|
| Power | 70,5 W (15 PIXELS) | | | | | |
| Color temperature | RGBW | | | | | |
| | | Red | Green | Blue | 4000K | R+G+B+W |
| Lumens output | 33° - | 690 lm | 1142 lm | 524 lm | 1233 lm | 3585 lm |
| | 14x39° - | 725 lm | 1199 lm | 549 lm | 1295 lm | 3765 lm |
| Luminaire efficiency | 53 lm/W | | | | | |
| Measures / Weight | 921 x 127 x 72 mm / 6,1 kg | | | | | |

| Line Grazer® PLUS PIXEL 600 | | | | | | |
|-----------------------------|--------------------------|--------|--------|--------|--------|---------|
| Power | 47W (10 PIXELS) | | | | | |
| Color temperature | RGBW | | | | | |
| | | Red | Green | Blue | 4000K | R+G+B+W |
| Lumens output | 33° - | 460 lm | 761 lm | 349 lm | 822 lm | 2390 lm |
| | 14x39° - | 483 lm | 799 lm | 366 lm | 863 lm | 2510 lm |
| Luminaire efficiency | 53 lm/W | | | | | |
| Measures / Weight | 621 x 127 x 72 mm / 4 kg | | | | | |

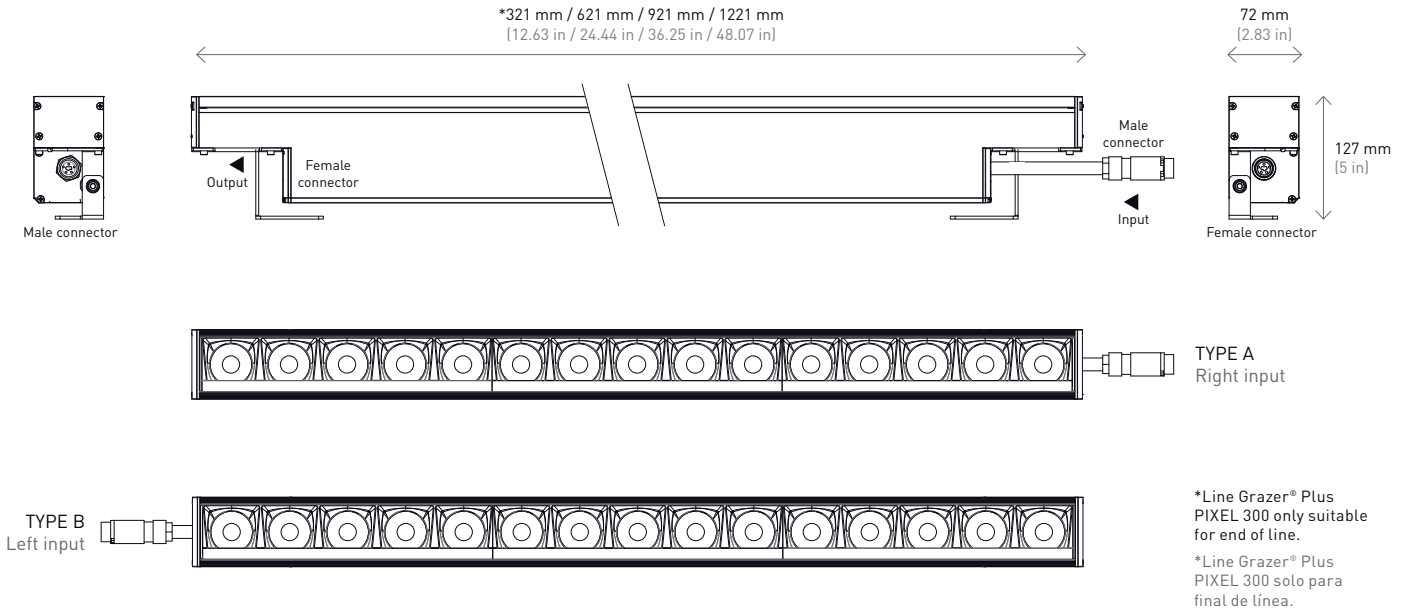
| Line Grazer® PLUS PIXEL 300 | | | | | | |
|-----------------------------|----------------------------|--------|--------|--------|--------|---------|
| Power | 23,5 W (5 PIXELS) | | | | | |
| Color temperature | RGBW | | | | | |
| | | Red | Green | Blue | 4000K | R+G+B+W |
| Lumens output | 33° - | 230 lm | 381 lm | 175 lm | 411 lm | 1195 lm |
| | 14x39° - | 242 lm | 400 lm | 183 lm | 432 lm | 1255 lm |
| Luminaire efficiency | 53 lm/W | | | | | |
| Measures / Weight | 321 x 127 x 72 mm / 1,9 kg | | | | | |

Color temperature conform to ANSI C78.377A.
Temperatura de color según normativa ANSI C78.377A.

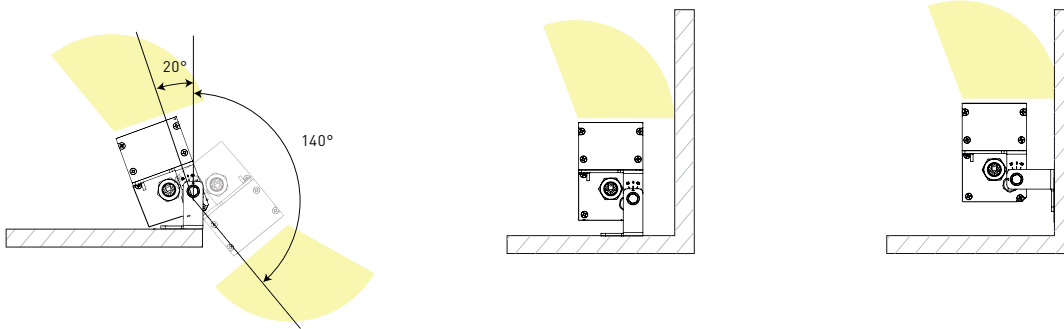


LINE GRAZER® PLUS PIXEL

MEASURES MEDIDAS



ROTATION ROTACIÓN



LIGHT DISTRIBUTION CURVES FOTOMETRÍAS

Line Grazer® Plus PIXEL RGBW

47W 33°

| Distance Distancia | Beam Ángulo | Diameter Diámetro | R | G | B | W | R+G+B+W | 90° 75° 60° 45° 30° | 90° 75° 60° 45° 30° |
|-----------------------|----------------|----------------------|-------------|----------------|--------------|-----------------|----------|---------------------------------|---------------------------------|
| | | | RED ROJO | GREEN VERDE | BLUE AZUL | WHITE BLANCO | | | |
| 1 m | | 0,80 m | 1413 lux | 2339 lux | 1071 lux | 2524 lux | 7348 lux | | |
| 2 m | | 1,59 m | 353 lux | 585 lux | 268 lux | 631 lux | 1837 lux | | |
| 3 m | | 2,39 m | 157 lux | 260 lux | 119 lux | 280 lux | 816 lux | | |
| 4 m | | 3,18 m | 88 lux | 146 lux | 67 lux | 158 lux | 459 lux | | |
| 5 m | | 3,98 m | 57 lux | 94 lux | 43 lux | 101 lux | 294 lux | | |

Data calculated with **Line Grazer® Plus PIXEL (600 mm)**.
Lumen measurement complies with **UNE-EN 13032 / IES LM-79-08** testing procedures.
Light distribution curves are available at www.mclight.com.
Due to continuous improvements and innovations, specifications may change without notice.

Datos calculados con **Line Grazer® Plus PIXEL (600 mm)**.
Ensayado bajo las especificaciones de la norma **UNE-EN 13032 / IES LM-79-08**.
Fotometrías disponibles en www.mclight.com.
Debido a las continuas mejoras e innovaciones, las especificaciones pueden cambiar sin previo aviso.

FINISHES
ACABADOS

In order to satisfy all our customers, five different versions are available: silver, black, white, corten and stone.
Con el fin de satisfacer las necesidades de nuestros clientes, está disponible en cinco acabados: plata, negro, blanco, corten y piedra..



Anodized silver.
Plata anodizado.



Micro texturised black.
Negro micro texturizado.



Micro texturised white.
Blanco micro texturizado.



Micro texturised corten.
Corten micro texturizado.



Micro texturised stone.
Piedra micro texturizado.

DETAILS
DETALLES



Controllable pixel by pixel
Controlable píxel a píxel



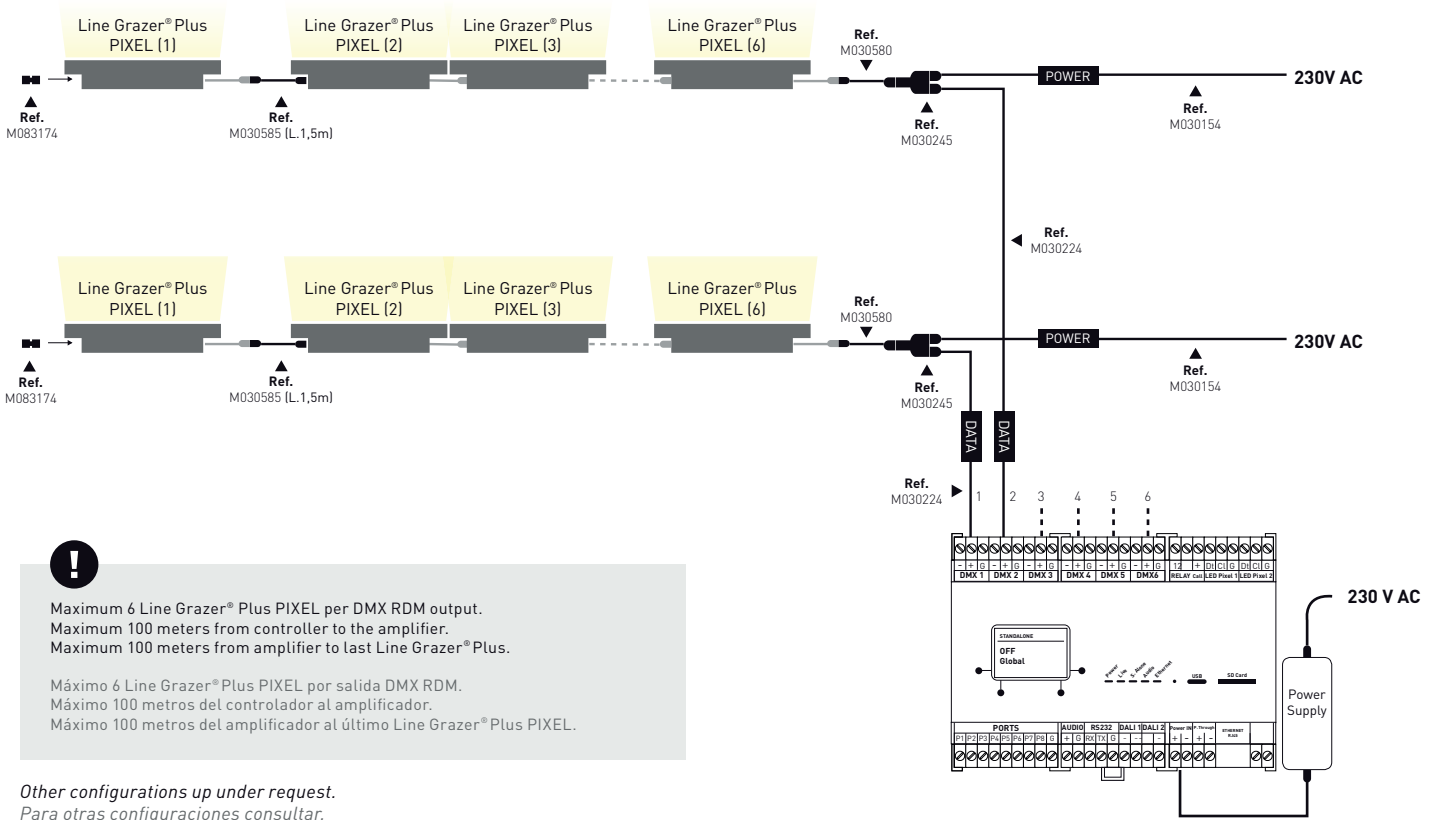
Controllable each two pixels
Controlable cada 2 píxeles



Controllable each five pixels
Controlable cada 5 píxeles

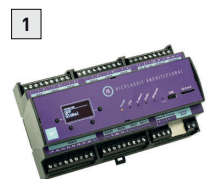
LINE GRAZER® PLUS PIXEL

CONNECTIONS CONEXIONES



| MODEL | Line Grazer® Plus PIXEL 300 | Line Grazer® Plus PIXEL 600 | Line Grazer® Plus PIXEL 900 | Line Grazer® Plus PIXEL 1200 |
|---------------------|-----------------------------|-----------------------------|-----------------------------|--|
| Nº PIXELS (PXL) | 5 PXL | 10 PXL | 15 PXL | 20 PXL |
| CONTROLLABLE PIXELS | 1 PXL / 5 PXL | 1 PXL / 2 PXL / 5 PXL | 1 PXL / 3 PXL / 5 PXL | 1 PXL / 2 PXL / 4 PXL / 5 PXL / 10 PXL |

CONTROLLER REFERENCE REFERENCIA CONTROLADOR



7150680 6 univers DMX-RDM + ART-NET + SPI + DALI controller / DINA DR1 Controlador 6 universos DMX-RDM + ART-NET + SPI + DALI / DINA DR1 **1**

REFERENCES REFERENCIAS

75511 X X /XX/XX

COLOR COLOR

/11-4K RGBW

TYPE MODELO

| | | |
|---|------|--------|
| 1 | 300* | Type A |
| 2 | 600 | |
| 3 | 900 | |
| 4 | 1200 | Type B |
| 6 | 300* | |
| 7 | 600 | |
| 8 | 900 | |
| 9 | 1200 | |

FINISHES ACABADOS

| | | |
|---|-------------------|--------------------|
| 0 | Anodized silver | Plata anodizado |
| 2 | Texturised black | Negro texturizado |
| 3 | Texturised white | Blanco texturizado |
| 4 | Texturised corten | Corten texturizado |
| 5 | Texturised stone | Piedra texturizado |

* Line Grazer® Plus PIXEL 300 only suitable for end of the line.
Line Grazer® Plus PIXEL 300 solo para final de línea.

OPTIONS OPCIONES

The standard version is delivered with:
DMX RDM, controllable pixel by pixel, with floor-wall bracket
and 14x39° beam angle.

La versión estándar se suministra con:
DMX RDM, controlable píxel a píxel, con soporte suelo-pared
y un ángulo de apertura de 14x39°.

BEAM ÁNGULO

33°
14x39° (Standard)

ACCESSORIES REFERENCES REFERENCIAS ACCESORIOS

1



2



3



4



| | | | |
|-------------|--|--|---|
| M030580 | 2 m power cable (5 poles-female) | Cable alimentación 2 m (5 polos-hembra) | 1 |
| M030585 | 1,5 m extension cable (5 poles) | Cable extensión 1,5 m (5 polos) | 2 |
| M083174 | 120 OHM end cap (5 poles-male) | Tapón final 120 OHM (5 polos-macho) | 3 |
| | For electrical installation. | Para instalación eléctrica. | |
| M030245 | IP68 "Y" connection Ø6-17mm Tee Tube (5 poles) | Conexión "Y" Ø6-17mm IP68 Tee Tube (5 polos) | 4 |
| M030154 | 3 x 1,5 mm² H07RN-F cable (m) | Cable 3 x 1,5 mm² H07RN-F (m) | |
| M030224 | BELDEN 3105A cable (m) | Cable BELDEN 3105A (m) | |
| | To do extensions cables | Para hacer extensiones de cables | |
| M083166 | IP68 connector (5 poles-male) | Conector aéreo IP68 (5 polos-macho) | |
| M083173 | End cap (male) | Tapón final (macho) | |
| M083167 | IP68 connector (5 poles-female) | Conector aéreo IP68 (5 polos-hembra) | |
| M083172 | End cap (female) | Tapón final (hembra) | |
| M030400/C12 | 2 x AWG22 + 3 x 1,5 mm² cable (m) | Cable 2 x AWG22 + 3 x 1,5 mm² (m) | |

To control the luminaires via Bluetooth see page 314
Para controlar las luminarias via Bluetooth consultar página 314

Førde Town Hall,
Norway

