

LUMINAIRES

TWEET

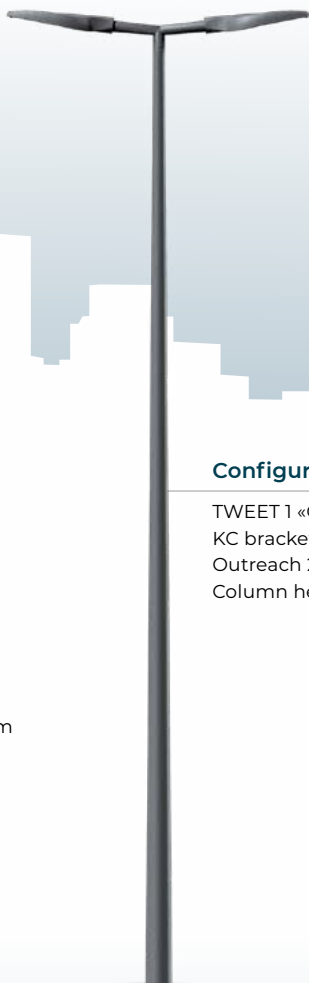
Design: ECLATEC





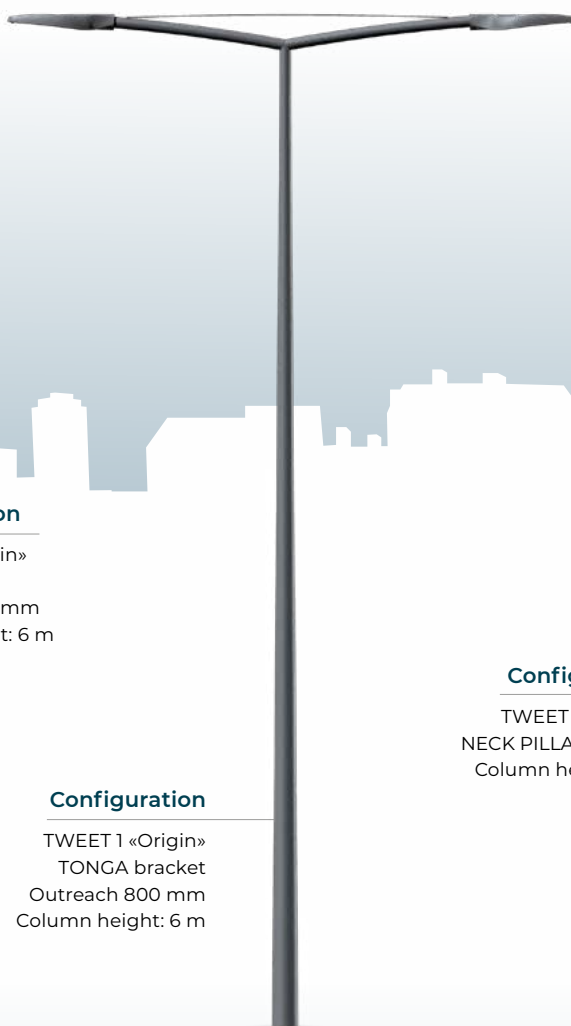
Configuration

TWEET 1 «Neo»
TOP spigot
Column height: 4 m



Configuration

TWEET 1 «Origin»
KC bracket
Outreach 200 mm
Column height: 6 m



Configuration

TWEET 1 «Origin»
TONGA bracket
Outreach 800 mm
Column height: 6 m



Configuration

TWEET 1 «Origin»
NECK PILLAR bracket
Column height: 5 m

TWEET «Neo»

Design: ECLATEC



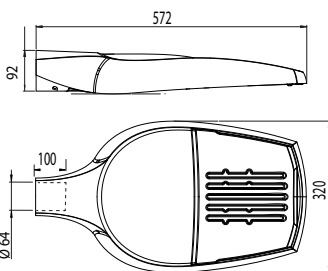
TWEET S1 «Neo»
Top version

DESCRIPTION

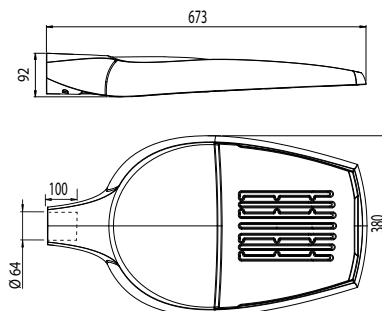
Product name	TWEET1 «Neo»	TWEET 2 «Neo»		
Segmentation	Models available in 3 levels: - 1E: Unique version for standard use - 2E A: Fixed settings for night dimming - 2EB: Fixed current setting at 700 mA, without options - 3E: Most efficient and customizable version			
Housing	Injection die-cast aluminium body			
Bowl	S version: bi-material grey and transparent bowl in PC X version: thermally toughened glass			
Finish	1E: 7035 RAL 2E, 3E: Polyester powder coating, any colour available			
Impact protection	IK 10			
Ingress Protection	IP66 Extruded silicone gasket Cable gland with anchoring device Breathing system with activated carbon filter			
Dimensions (L x l x h)	572 x 320 x 92 mm		673 x 380 x 92 mm	
Weight	S1: 4.8kg / X1: 5.8kg		S2: 6.6kg / X2: 7.8kg	
Windage area	0.05m ²		0.06m ²	
Materials used	S version	X version	S version	X version
Aluminium	70%	72%	64%	68%
Plastic	11%	1%	13%	1%
Steel	9%	9%	8%	8%
Other	10%	10%	15%	10%
Glass	-	8%	-	13%
Electrical class	Class I or II			
Wiring	Optional for 2E and 3E versions			

DIMENSIONS

TWEET 1 «Neo»



TWEET 2 «Neo»





TWEET X2 «Neo»

SOURCES & PHOTOMETRIC DISTRIBUTIONS

	TWEET 1 «Neo»	TWEET 2 «Neo»
Sources	BLS strips	
	1E: 2 BLS12, 3 BLS12 2E: 2 BLS8, 2 BLS12, 3 BLS12 3E: 1 BLS8, 2 BLS8, 2 BLS12, 3 BLS12	2 BLS12 3 BLS12 4 BLS12
	Colour temperature	
	Amber*, 2200 K, 2400 K, 2700 K, 3000K, 4000 K	
Optical Distribution	QUADRALENS	
	1E: ERS, ERL 2E/ 3E: ERS, ERE, ERL, ECa, LRL, LRS, ETS, PFA, EPD, EPG	1E: ERS, ERL 2E/ 3E: ERS, ERE, ERL, ECa, LRL, LRS, PFA
Backlight shield option	Medium or strong cut-off	
Power supply current	1E/2EB: 700mA, 2EA: ANF ⁽¹⁾ , 3E: up to 700 mA ⁽²⁾	
Driver protection	10 kV: 3E version 8 kV: 1E and 2E versions ^{A/B}	

*Approx. 1800K, only on BLS12 as standard (1) ANF: Unique program for driver, Fixed Night Dimming: 23 h - 5 h at 350 mA and 700 mA for the remaining time, (2) I>700mA possible on request, E/L/P: Lighting/Luminance/Projection, R/C/T/F/P: Road/Circular/Pavement/Beam/Zebra crossing, E/S/L/A/D/G: Narrow/Standard/Wide/Asymmetrical/Right/Left



BLS strips

OPTIONS

	3E version:	TWEET 1	TWEET 2
At the lighting point			
Adjustable current (driver or bottom of the pole)		✓	✓
Dimming (driver, bottom of the pole or Bluetooth)		✓	✓
Built-in detection		✓*	-
Remote detection		✓	✓
DALI protocol		✓	✓
Smart-Ready® configuration (ZD4i)		✓	✓
In a local network			
Communicating detection with pilot wire		✓	✓
Wireless communication sensing		✓	✓
Remote management			
WIZARD CMS system		✓	✓

* Only available for S1 version
Details of the functions available on pages 272 to 279 and in the LED synopsis located on under the flap on the front cover

MECHANICAL INTERFACES



S1/X1 Top: post top for pole Ø 60/Ø 62 mm x 70 mm and pole Ø 76 mm x 90 mm



S1/X1, S2/X2, S3/X3 side entry: side female sleeve for Ø 60/Ø 62 mm x 100 mm (2) (fastener kit available as an option)



S2/X2, S3/X3 post top bracket tilt 5°: female fastening for pole Ø 60/62 mm x 100 mm (3), Ø 42 mm and Ø 49 mm
For pole Ø 76 mm top, optional spigot A (see page 278)



Neck pillar bracket tilt 5°: male fastening for pole Ø 60/62 mm x 320 mm (cf p 280 - D).

Luminaire tilt at 2°

MAINTENANCE

Maintenance of the equipment and LEDs

TWEET «Neo» S1, S2:

Direct access to the power supply and BLS strips after removal of the bowl. (4 concealed screws). Removable circuit board (retention line) {1}

TWEET «Neo» X1, X2:

Opening without tools of the arch. Direct access to the power supply and BLS strips. Quick electrical disconnection without tools. Circuit board removable onsite without tools. {2}

