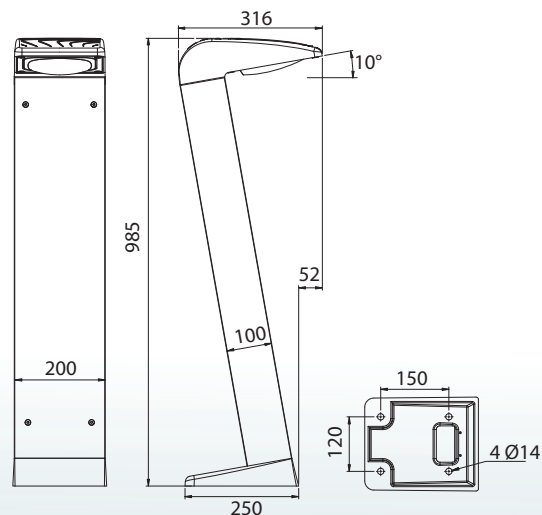
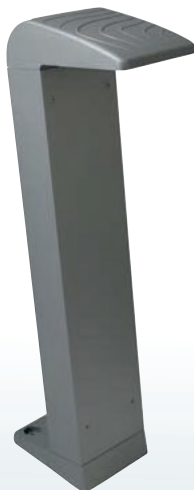


TREK

Design: ECLATEC



DESCRIPTION

Product name	TREK
Housing	Lighting head and module in die-cast aluminium Aluminium profile 200 x 100 mm tube
Bowl	Polycarbonate
Finish	Polyester powder coating, any colour available
Impact protection	IK 10
Ingress Protection	IP 66 Module
Dimensions (L x l x h)	200 x 316 x 985 mm
Weight	23kg
Materials used	Steel 56%, Aluminium 39%, Plastic 2%, Other 3%
Electrical class	Class I or II

SOURCES & PHOTOMETRIC DISTRIBUTIONS

TREK	
Sources	BLS 8
Colour temperature	2400 K, 2700 K, 3000 K, 4000 K
Optical Distribution	QUADRALENS: EAH, ERS
Backlight shield option	Medium or strong cut-off
Power supply current	Adjustable up to 700 mA ⁽¹⁾

(1) I > 700mA possible on request
E/L/P: Lighting/Luminance/Projection, R/C/T/F/P: Road/Circular/Pavement/Beam/Zebra crossing, E/S/L/A/D/G: Narrow/Standard/Wide/Asymmetrical/Right/Left

INSTALLATION



Cast iron base
Internal fixing using 4 anchor rods, Ø 12 mm

MAINTENANCE

Opening and closing Removable lighting head
Access to the equipment after removal of the profiled tube

OPTIONS

TREK	
At the lighting point	
Adjustable current (driver or bottom of the pole)	✓
Dimming (driver, bottom of the pole or Bluetooth)	✓
Built-in detection	✓
Remote detection	✓
DALI protocol	✓
Smart-Ready® configuration (ZD4i)	✓
In a local network	
Communicating detection with pilot wire	✓
Wireless communication sensing	✓
Remote management	
WIZARD CMS system (MCD module)	✓

Details of the functions available on pages 272 to 279 and in the LED synopsis located on under the flap on the front cover

