

CYCLONE

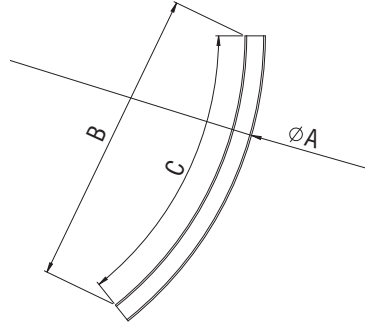
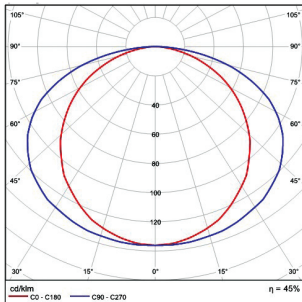


CYCLONE



CYCLONE

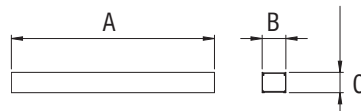
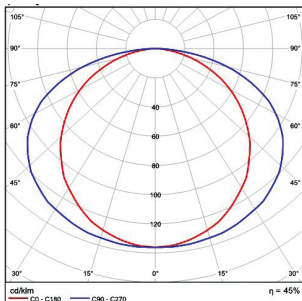
CYCLONE PART



- Aluminium body, painted electrostatically in selected colour.
- High efficient satin cover.
- CRI: min. 80 / SDCM: 3
- Luminous Efficacy:
164Lm/W at 4000K 300mA
157Lm/W at 3000K 300mA
- Upon request in Up Down edition.

Code	Description	Dimensions mm		
		ØA	B	C ^(o)
8241292	Cyclone 5 Part 46W Warm	2000 - 1720	1700	120
8241293	Cyclone 5 Part 46W Neutral	2000 - 1720	1700	120
8241302	Cyclone 6 Part 43W Warm	3000 - 2720	1600	72
8241303	Cyclone 6 Part 43W Neutral	3000 - 2720	1600	72
8241312	Cyclone 7 Part 43W Warm	4000 - 3720	1735	51
8241313	Cyclone 7 Part 43W Neutral	4000 - 3720	1735	51
8241322	Cyclone 8 Part 53W Warm	5000 - 4720	2050	51
8241323	Cyclone 8 Part 53W Neutral	5000 - 4720	2050	51

For dimmer version add letter "D" at the end of product code.



- Aluminium body, painted electrostatically in selected colour.
- High efficient satin cover.
- Luminous Efficacy:
164Lm/W at 4000K 300mA CRI: min. 80
157Lm/W at 3000K 300mA CRI: min. 80
- Upon request in Up Down edition.

Code	Description	Dimensions mm		
		A	B	C
8241332	Cyclone 9 Part 29W Warm	1200	140	120
8241333	Cyclone 9 Part 29W Neutral	1200	140	120
8241342	Cyclone 10 Part 16W Warm	600	140	120
8241343	Cyclone 10 Part 16W Neutral	600	140	120
8241352	Cyclone 11 Part 8W Warm	300	140	120
8241353	Cyclone 11 Part 8W Neutral	300	140	120

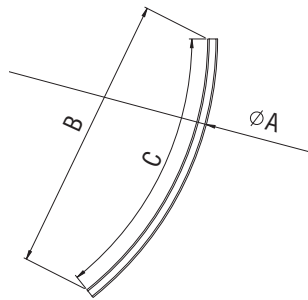
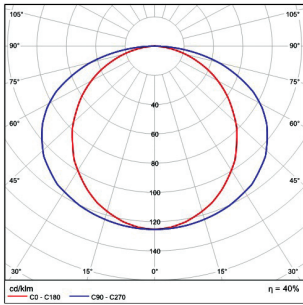
For dimmer version add letter "D" at the end of product code.

Colour Codes:

0 Colours 1 White 2 Titan 3 Black

CYCLONE

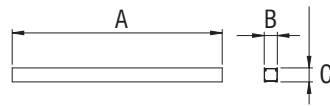
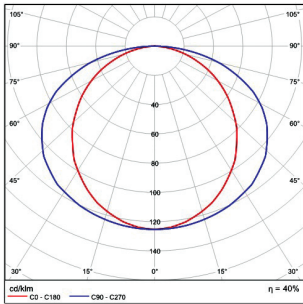
CYCLONE SLIM PART



- Aluminium body, painted electrostatically in selected colour.
- High efficient satin cover.
- CRI: min. 80 / SDCM: 3
- Luminous Efficacy:
164Lm/W at 4000K 300mA
157Lm/W at 3000K 300mA

Code	Description	Dimensions mm		
		ØA	B	C ^(o)
8241362	Cyclone Slim 5 Part 50W Warm	2000 - 1850	1700	120
8241363	Cyclone Slim 5 Part 50W Neutral	2000 - 1850	1700	120
8241372	Cyclone Slim 6 Part 43W Warm	3000 - 2850	1675	72
8241373	Cyclone Slim 6 Part 43W Neutral	3000 - 2850	1675	72
8241382	Cyclone Slim 7 Part 43W Warm	4000 - 3850	1670	51
8241383	Cyclone Slim 7 Part 43W Neutral	4000 - 3850	1670	51
8241392	Cyclone Slim 8 Part 53W Warm	5000 - 4850	2100	51
8241393	Cyclone Slim 8 Part 53W Neutral	5000 - 4850	2100	51

For dimmer version add letter "D" at the end of product code.



- Aluminium body, painted electrostatically in selected colour.
- High efficient satin cover.
- CRI: min. 80 / SDCM: 3
- Luminous Efficacy:
164Lm/W at 4000K 300mA
157Lm/W at 3000K 300mA

Code	Description	Dimensions mm		
		A	B	C
8241402	Cyclone Slim 9 Part 29W Warm	1200	75	80
8241403	Cyclone Slim 9 Part 29W Neutral	1200	75	80
8241412	Cyclone Slim 10 Part 16W Warm	600	75	80
8241413	Cyclone Slim 10 Part 16W Neutral	600	75	80
8241422	Cyclone Slim 11 Part 8W Warm	300	75	80
8241423	Cyclone Slim 11 Part 8W Neutral	300	75	80

For dimmer version add letter "D" at the end of product code.

Colour Codes:

- 0 Colours 1 White 2 Titan 3 Black

CYCLONE

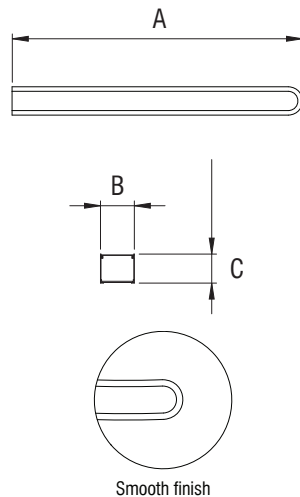
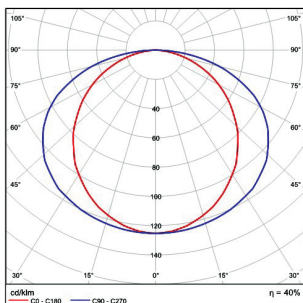
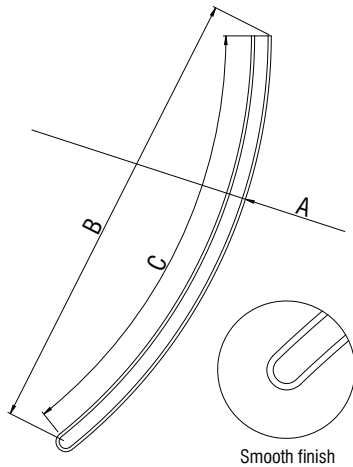
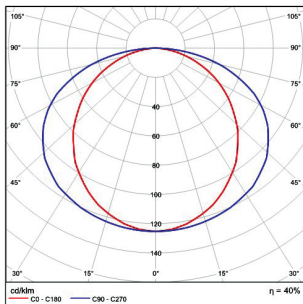


CYCLONE



CYCLONE

CYCLONE SLIM SMOOTH PART



Colour Codes:

- 0 Colours
- 1 White
- 2 Titan
- 3 Black



- Aluminium body, painted electrostatically in selected colour.
- High efficient satin cover.
- CRI: min. 80 / SDCM: 3
- Luminous Efficacy:
164Lm/W at 4000K 300mA
157Lm/W at 3000K 300mA

UPON REQUEST

- In UP DOWN editions.

Code	Description	Dimensions mm		
		ØA	B	C ⁽⁰⁾
8301362	Cyclone Slim 5 Part Smooth 50W Warm	2000 - 1850	1700	120
8301363	Cyclone Slim 5 Part Smooth 50W Neutral	2000 - 1850	1700	120
8301372	Cyclone Slim 6 Part Smooth 43W Warm	3000 - 2850	1675	72
8301373	Cyclone Slim 6 Part Smooth 43W Neutral	3000 - 2850	1675	72
8301382	Cyclone Slim 7 Part Smooth 43W Warm	4000 - 3850	1670	51
8301383	Cyclone Slim 7 Part Smooth 43W Neutral	4000 - 3850	1670	51
8301392	Cyclone Slim 8 Part Smooth 53W Warm	5000 - 4850	2100	51
8301393	Cyclone Slim 8 Part Smooth 53W Neutral	5000 - 4850	2100	51

For dimmer version add letter "D" at the end of product code.



- Aluminium body, painted electrostatically in selected colour.
- High efficient satin cover.
- CRI: min. 80 / SDCM: 3
- Luminous Efficacy:
164Lm/W at 4000K 300mA
157Lm/W at 3000K 300mA

UPON REQUEST

- In UP DOWN editions.

Code	Description	Dimensions mm		
		A	B	C
8301402	Cyclone Slim 9 Part Smooth 29W Warm	1200	75	80
8301403	Cyclone Slim 9 Part Smooth 29W Neutral	1200	75	80
8301412	Cyclone Slim 10 Part Smooth 16W Warm	600	75	80
8301413	Cyclone Slim 10 Part Smooth 16W Neutral	600	75	80
8301422	Cyclone Slim 11 Part Smooth 8W Warm	300	75	80
8301423	Cyclone Slim 11 Part Smooth 8W Neutral	300	75	80

For dimmer version add letter "D" at the end of product code.